



2021 COLLECTION

833.642.3222  
[www.everythingbp.us](http://www.everythingbp.us)





## Quality:

Our products are designed to the highest standards in style and function. We start by selecting only high quality raw materials, hardware, adhesives and finishes. This bundle of superior components is the first step to securing your long term satisfaction.

The second step is a state of the art manufacturing process which ensures consistent production across the board. We have worked diligently to cut out waste and eliminate bottle necks. New manufacturing technologies are quickly implemented as they become available to the industry. The result is streamlined and efficient production costs which support a very competitive sales price for our products.

The final step is thorough inspections. Components are inspected for quality at the completion of each step of the manufacturing process. When the entire process is complete, each batch of product is compared with a control group to make sure it will match warehouse inventory perfectly. These quality standards were established so our customers have confidence in the consistent quality of our construction, color and finish.

## Service:

We believe a product is only as good as the service that supports it. We spend a lot of time developing materials, processes and policies in order to make sure our customers are better served. The services we provide can be divided into three categories: supporting materials, order processing and customer service. Large strides have been made to ensure all of the pertinent information customers seek is readily available. Marketing materials are constantly being developed and distributed to help our customers educate their clientele. We understand that these are the sales tools required to successfully sell our product in your showrooms.

Our order processing system has allowed us to eliminate many unnecessary steps, significantly reducing our lead time. Orders placed online seamlessly flow through our inventory control and accounting systems.

We have a great team of experienced cabinet professionals ready to hear your concerns and answer your questions. Most importantly we listen to the input our customers give us and make sure your suggestions are addressed as we continually seek ways to better serve you. The goal is to establish a mutually beneficial relationship in which we can grow our businesses around.

# SALES MATERIALS

## Shaker



White

Antique White

Dove

Greystone

Charcoal

## Traditional



White

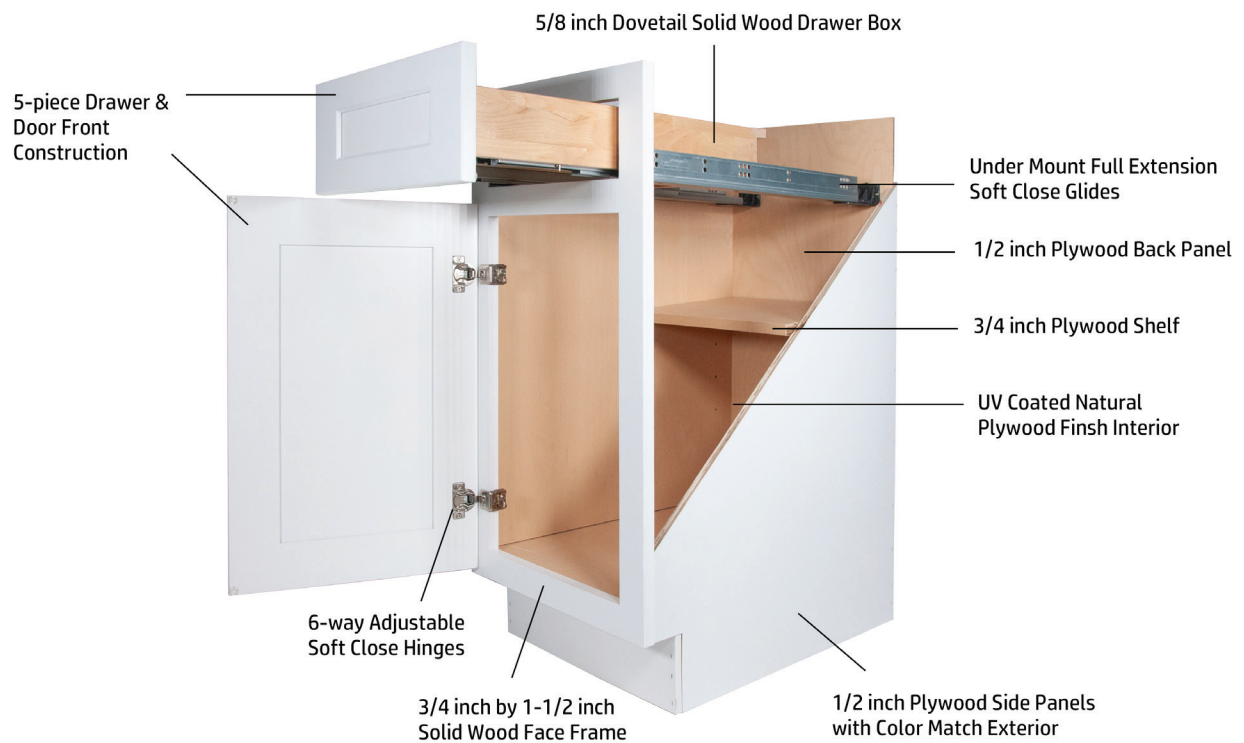
Dove

## Cameo



White

Scotch



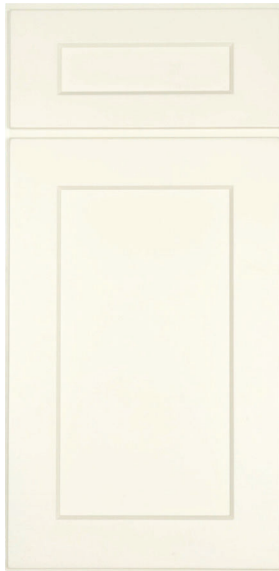


# SHAKER

*(Specifications subject to change without notice)*



**WHITE**  
**(SW)**



**ANTIQUE WHITE**  
**(SA)**



**DOVE**  
**(SD)**

- Framed Cabinet with Full Overlay Doors and Drawers
- Under Mount Full Extension DTC Soft Close Drawers Glides
- Concealed European Style Hinges with Close Feature
- Five Piece HDF Door
- Five Piece HDF Drawer Front
- 1/2" Plywood Box with UV Coated Matching Exterior
- Glue & Staple or Metal Clip Assembly
- UV Coated Natural Interior

# SHAKER

*(Specifications subject to change without notice)*



**GREYSTONE  
(SG)**

- Framed Cabinet with Full Overlay Doors and Drawers
- Under Mount Full Extension DTC Soft Close Drawers Glides
- Concealed European Style Hinges with Close Feature
- Five Piece HDF Door
- Five Piece HDF Drawer Front
- 1/2" Plywood Box with UV Coated Matching Exterior
- Glue & Staple or Metal Clip Assembly
- UV Coated Natural Interior



**CHARCOAL  
(SC)**

- Framed Cabinet with Full Overlay Doors and Drawers
- Under Mount Full Extension DTC Soft Close Drawers Glides
- Concealed European Style Hinges with Close Feature
- Solid Birch Door Frame with Solid Birch Center Panel
- Solid Birch Drawer Front with Veneered MDF Center Panel
- 1/2" Plywood Box with UV Coated Matching Exterior
- Glue & Staple or Metal Clip Assembly
- UV Coated Natural Interior

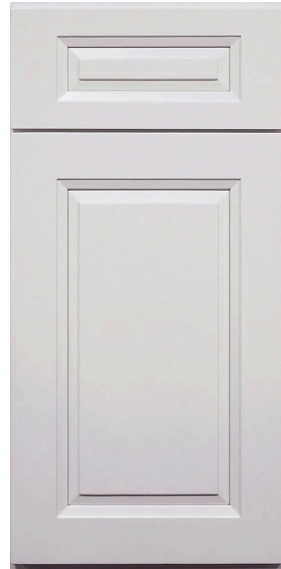


# TRADITIONAL

*(Specifications subject to change without notice)*



**WHITE  
(TW)**



**DOVE  
(TD)**

- Framed Cabinet with Full Overlay Doors and Drawers
- Under Mount Full Extension DTC Soft Close Drawers Glides
- Concealed European Style Hinges with Close Feature
- Five Piece HDF Door
- Five Piece HDF Drawer Front
- 1/2" Plywood Box with UV Coated Matching Exterior
- Glue & Staple or Metal Clip Assembly
- UV Coated Natural Interior

# CAMEO

(Specifications subject to change without notice)



**WHITE  
(CW)**

- Framed Cabinet with Full Overlay Doors and Drawers
- Under Mount Full Extension DTC Soft Close Drawers Glides
- Concealed European Style Hinges with Close Feature
- Five Piece HDF Door
- Five Piece HDF Drawer Front
- 1/2" Plywood Box with UV Coated Matching Exterior
- Glue & Staple or Metal Clip Assembly
- UV Coated Natural Interior



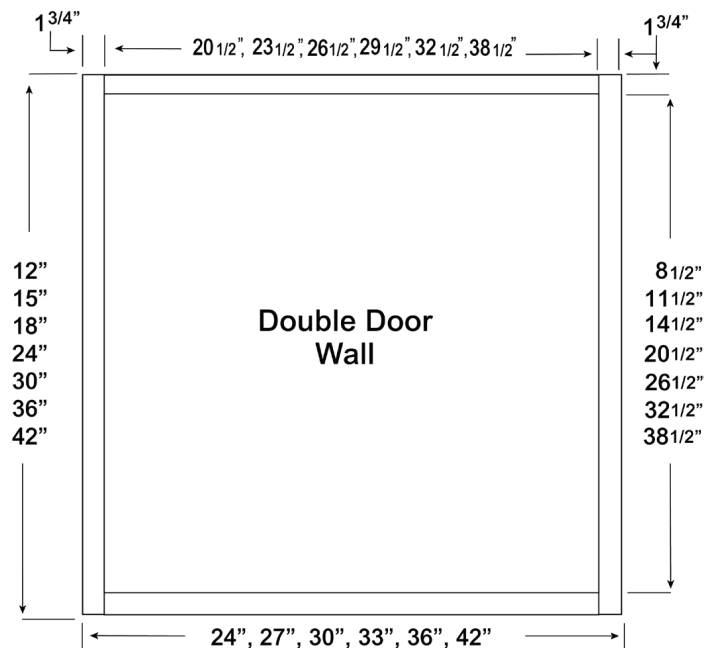
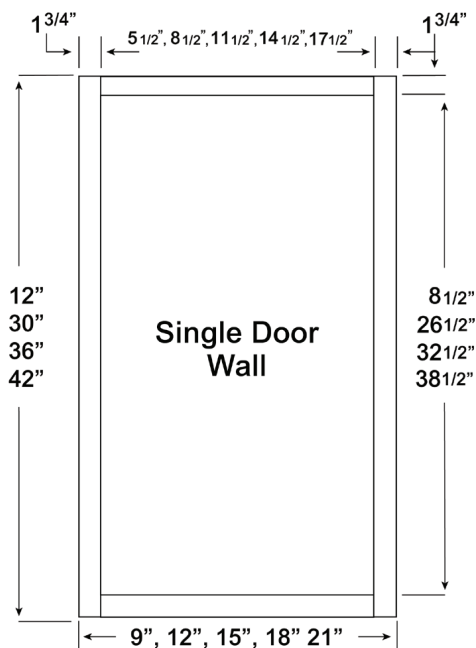
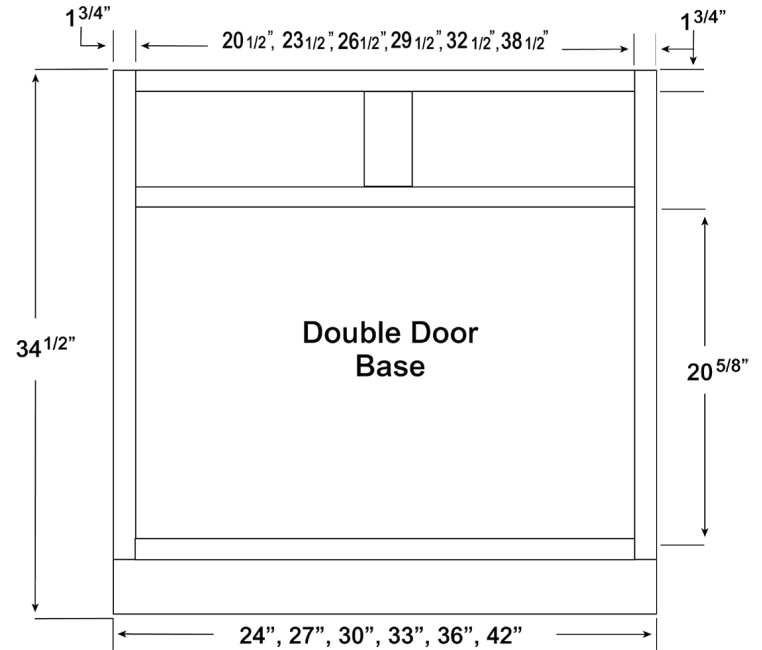
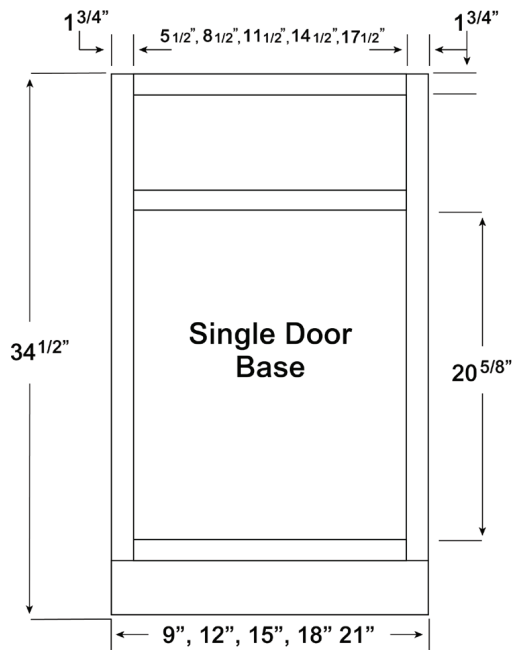
**SCOTCH  
(CS)**

- Framed Cabinet with Full Overlay Doors and Drawers
- Under Mount Full Extension DTC Soft Close Drawers Glides
- Concealed European Style Hinges with Close Feature
- Solid Birch Door Frame with Solid Birch Center Panel
- Solid Birch Drawer Front with Veneered MDF Center Panel
- 1/2" Plywood Box with UV Coated Matching Exterior
- Glue & Staple or Metal Clip Assembly
- UV Coated Natural Interior



## CABINET FRAME & OPENING DIMENSIONS - 1 3/4

- Height of all base cabinet openings is 20 5/8"
- Cabinet Size - 3 1/2" will give you opening
- Example B30: 30" - 3 1/2" = 26 1/2"

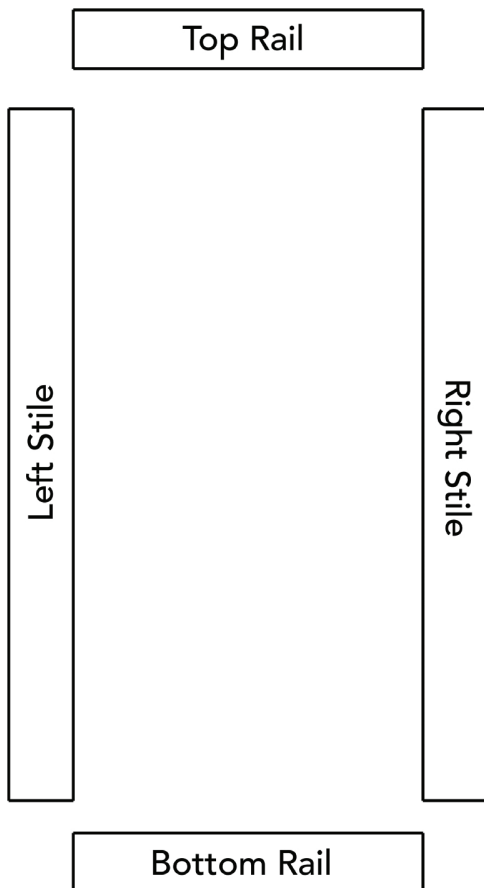




# GLASSDOOR CUTOUT SPECIFICATIONS

We offer various sized framed wall cabinets that have the doors routed for glass inserts and have an interior matching the cabinet exterior.

While these cabinets do not come equipped with glass or mullions, we have developed an easy to follow formula to help **estimate** the proper sized insert for your door while placing orders.



## Height Configuration:

Door Height\* - (2 x Door Style Rail Width) + 1½"

## Width Configuration:

Door Width\* - (2 x Door Style Stile Width) + 1½"

Door Style	Rail Width	Stile Width
Shaker	2¾"	2¾"
Traditional	3"	3"
Cameo	3"	3"

\*Door height and width information is located in the Specification Manual.

**DISCLAIMER:** This formula is to be used as an estimation tool only. We recommend that physical measurements are taken prior to ordering your inserts. We cannot guarantee the exact dimensions determined when using the formula provided.



# MODIFICATION AVAILABILITY

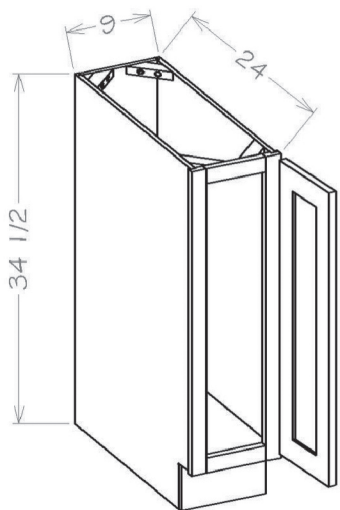
We offer a limited number of modifications on select assembled framed cabinets including reduced/increased depth, prep/route for glass, & double oven conversion. Modifications are available on select cabinets only. Labor and assembly fees are calculated on the website on a per item basis.

Mod Option/Code	Application	Description/Limitations
Reduced Depth (RD)	Base Cabinets	Reduced depth of select base cabinets in 3" increments ranging from 21" to 12". <b>Includes:</b> Full Height Door Bases, Door/Drawer Bases, Drawer Bases, Sink Bases <b>Excludes:</b> Corner Base Cabinets, Base Accessory Cabinet Kits, Specialty Base Cabinets
	Wall Cabinets	Reduced depth of select wall cabinets in 3" increments. <ul style="list-style-type: none"> <li>• 12"D Cabinets - Range from 9" to 6"</li> <li>• 24"D Cabinets - Range from 21" to 15" **</li> </ul> **33"W Refridgerator Cabinets can be decreased from 21" to 12" <b>Includes:</b> 30, 36, & 42"H Wall Cabinets, Bridge Wall Cabinets, Refrigerator Wall Cabinets, 12, 30, 36, 42"H Routed for Glass with Finished Interior Wall Cabinets <b>Excludes:</b> Corner Wall Cabinets, Corner Routed for Glass with Finished Interior Wall Cabinets, Specialty Wall Cabinets
	Tall Cabinets	Reduced depth of select tall cabinets in 3" increments ranging from 21" to 12". <b>Includes:</b> Utility Cabinets <b>Excludes:</b> Oven Cabinets & Utility Accessory Cabinet Kits
	Vanity Cabinets	Reduced depth of select vanity cabinets in 3" increments ranging from 18" to 15". <b>Includes:</b> Vanity Combo Bases, Vanity Sink Bases <b>Excludes:</b> Vanity Drawer Bases
Double Oven Conversion	Tall Cabinets	Modification from a single oven cabinet to a double oven cabinet by removal of top two drawers. <b>Includes:</b> O338424, O339024, & O339624 oven cabinets Additional in-field cutting may be required to fit oven. Max oven dimensions are 31½"W x 40"H

**DISCLAIMER:** Modifications are only available on assembled cabinets. Modifications exclude orders from the standard lead time. Modifications are not available for discontinued styles or items.

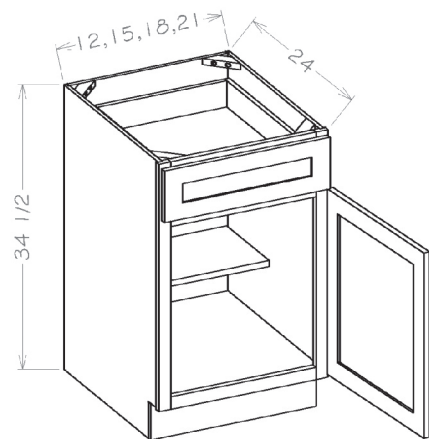
# PRODUCT SPECIFICATIONS

## Tray Base



Model	Description	Width	Height	Depth
BT9	Cabinet Dimension	9	34½	24
	Door Dimension	8½	29	¾

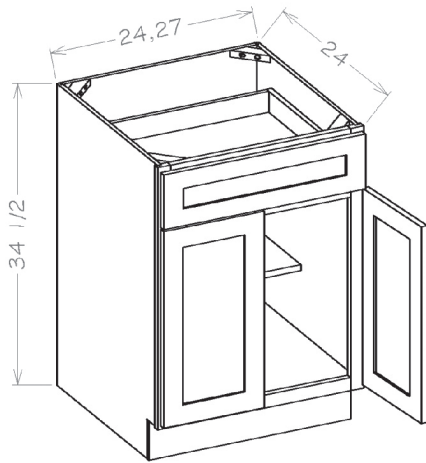
## Single Door Single Drawer Bases



Model	Description	Width	Height	Depth
B12	Cabinet Dimension	12	34½	24
	Door Dimension	11½	22½	¾
	Drawer Front	11½	6¼	¾
	Drawer Box	8	3¼	20⅞
B15	Cabinet Dimension	15	34½	24
	Door Dimension	14½	22½	¾
	Drawer Front	14½	6¼	¾
	Drawer Box	11	3¼	20⅞
B18	Cabinet Dimension	18	34½	24
	Door Dimension	17½	22½	¾
	Drawer Front	17½	6¼	¾
	Drawer Box	14	3¼	20⅞
B21	Cabinet Dimension	21	34½	24
	Door Dimension	20½	22½	¾
	Drawer Front	20½	6¼	¾
	Drawer Box	17	3¼	20⅞

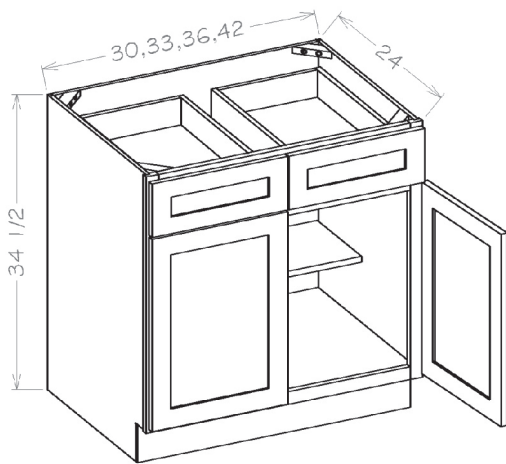


## Double Door Single Drawer Bases



Model	Description	Width	Height	Depth
B24	Cabinet Dimension	24	34½	24
	Door Dimension	11¾	22½	¾
	Drawer Front	23½	6¼	¾
	Drawer Box	20	3¼	20⅜
B27	Cabinet Dimension	27	34½	24
	Door Dimension	13¾	22½	¾
	Drawer Front	26½	6¼	¾
	Drawer Box	23	3¼	20⅜

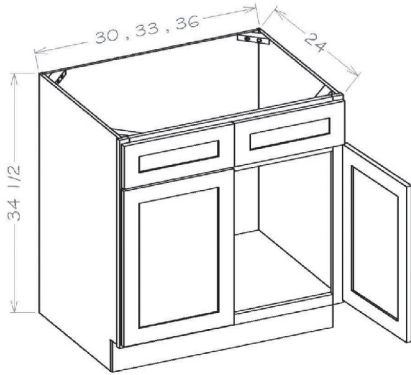
## Double Door Double Drawer Bases



Model	Description	Width	Height	Depth
B30	Cabinet Dimension	30	34½	24
	Door Dimension	14¾	22½	¾
	Drawer Front	14¾	6¼	¾
	Drawer Box	12	3¼	20⅜
B33	Cabinet Dimension	33	34½	24
	Door Dimension	16¾	22½	¾
	Drawer Front	16¾	6¼	¾
	Drawer Box	13½	3¼	20⅜
B36	Cabinet Dimension	36	34½	24
	Door Dimension	17¾	22½	¾
	Drawer Front	17¾	6¼	¾
	Drawer Box	15	3¼	20⅜
B42	Cabinet Dimension	42	34½	24
	Door Dimension	20¾	22½	¾
	Drawer Front	20¾	6¼	¾
	Drawer Box	18	3¼	20⅜

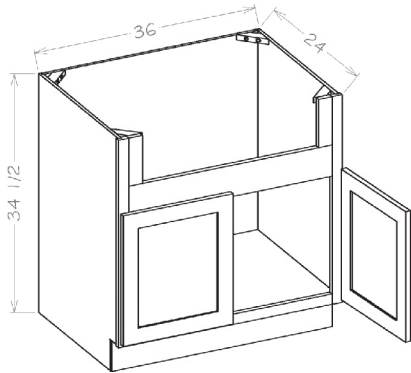
# PRODUCT SPECIFICATIONS

## Sink Bases



Model	Description	Width	Height	Depth
SB30	Cabinet Dimension	30	34½	24
	Door Dimension	14¾	22½	¾
	Drawer Front	14¾	6¼	¾
SB33	Cabinet Dimension	33	34½	24
	Door Dimension	16¼	22½	¾
	Drawer Front	16¼	6¼	¾
SB36	Cabinet Dimension	36	34½	24
	Door Dimension	17¾	22½	¾
	Drawer Front	17¾	6¼	¾

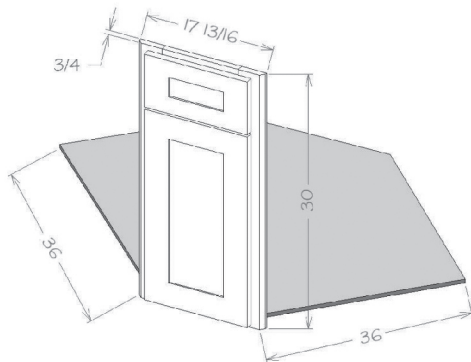
## Sink Bases - Farm Sink



Model	Description	Width	Height	Depth
FSB36	Cabinet Dimension	36	34½	24
	Door Dimension	17¾	19	¾

- Fits up to a 33"W x 10"H farm sink

## Sink Bases - Diagonal Sink Front

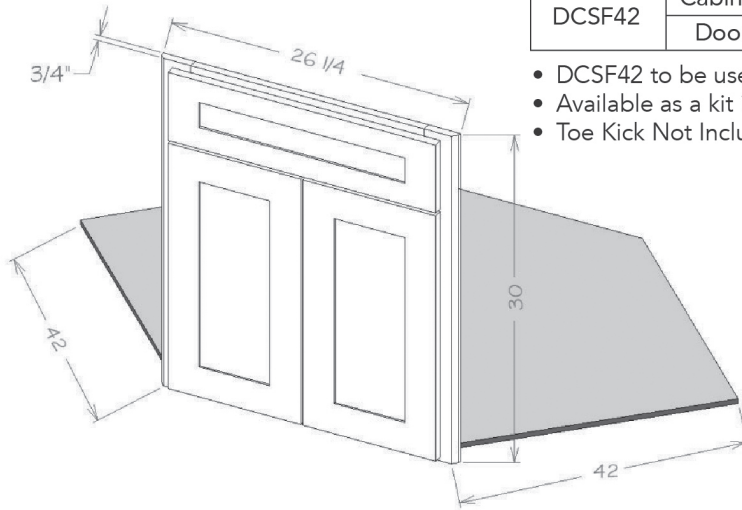


Model	Description	Width	Height	Depth
DCSF36	Cabinet Dimension	17 <sup>13/16</sup>	30	¾
	Door Dimension	15¼	22½	¾

- DCSF36 to be used in conjunction with SBF3636
- Available as a kit item SKU: DCFF36
- Toe Kick Not Included



## Sink Bases - Diagonal Sink Front

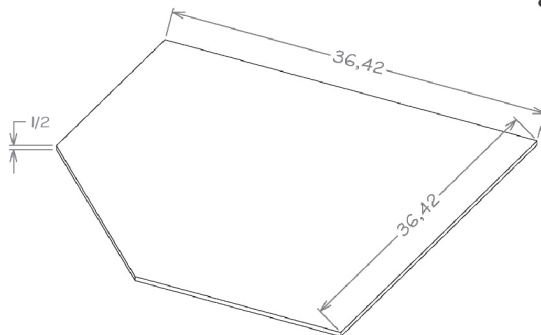


Model	Description	Width	Height	Depth
-------	-------------	-------	--------	-------

DCSF42	Cabinet Dimension	26 1/4	30	3/4
	Door Dimension	11 3/4	22 1/2	3/4

- DCSF42 to be used in conjunction with SBF4242
- Available as a kit item SKU: DCFF42
- Toe Kick Not Included

## Sink Bases - Diagonal Sink Floor



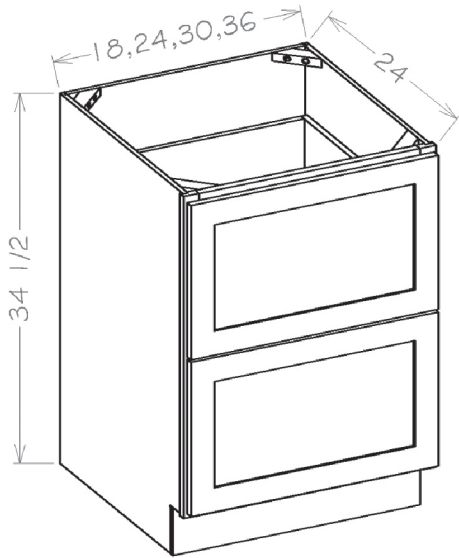
Model	Description	Width	Height	Depth
-------	-------------	-------	--------	-------

SBF3636	Cabinet Dimension	36	1/2	36
SBF4242	Door Dimension	42	1/2	42

- Sink Floor Only, Use with Corresponding DCSF

# PRODUCT SPECIFICATIONS

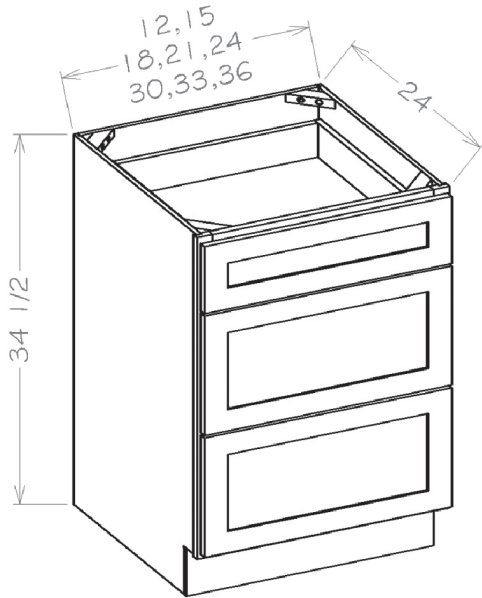
## Two Drawer Bases



Model	Description	Width	Height	Depth
2DB18	Cabinet Dimension	18	34½	24
	Door Dimension	17½	14½	¾
	Drawer Front	14	8¼	20⅜
2DB24	Cabinet Dimension	24	34½	24
	Door Dimension	23½	14½	¾
	Drawer Front	20	8¼	20⅜
2DB30	Cabinet Dimension	30	34½	24
	Door Dimension	29½	14½	¾
	Drawer Front	26	8¼	20⅜
2DB36	Cabinet Dimension	36	34½	24
	Door Dimension	35½	14½	¾
	Drawer Front	32	8¼	20⅜



Three Drawer Base

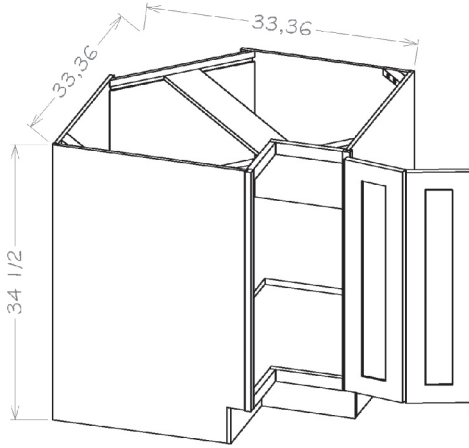


Model	Description	Width	Height	Depth
3DB12	Cabinet Dimension	12	34½	24
	Top Drawer Front	11½	6¼	¾
	Bottom Drawer Front	11½	11⅛	¾
	Top Drawer Box	8	3⅜	20⅜
	Bottom Drawer Box	8	8¼	20⅜
3DB15	Cabinet Dimension	15	34½	24
	Top Drawer Front	14½	6¼	¾
	Bottom Drawer Front	14½	11⅛	¾
	Top Drawer Box	11	3⅜	20⅜
	Bottom Drawer Box	11	8¼	20⅜
3DB18	Cabinet Dimension	18	34½	24
	Top Drawer Front	17½	6¼	¾
	Bottom Drawer Front	17½	11⅛	¾
	Top Drawer Box	14	3⅜	20⅜
	Bottom Drawer Box	14	8¼	20⅜
3DB21	Cabinet Dimension	21	34½	24
	Top Drawer Front	20½	6¼	¾
	Bottom Drawer Front	20½	11⅛	¾
	Top Drawer Box	17½	3⅜	20⅜
	Bottom Drawer Box	17½	8¼	20⅜
3DB24	Cabinet Dimension	24	34½	24
	Top Drawer Front	23½	6¼	¾
	Bottom Drawer Front	23½	11⅛	¾
	Top Drawer Box	20	3⅜	20⅜
	Bottom Drawer Box	20	8¼	20⅜
3DB30	Cabinet Dimension	30	34½	24
	Top Drawer Front	29½	6¼	¾
	Bottom Drawer Front	29½	11⅛	¾
	Top Drawer Box	26	3⅜	20⅜
	Bottom Drawer Box	26	8¼	20⅜
3DB36	Cabinet Dimension	36	34½	24
	Top Drawer Front	35½	6¼	¾
	Bottom Drawer Front	35½	11⅛	¾
	Top Drawer Box	32	3⅜	20⅜
	Bottom Drawer Box	32	8¼	20⅜



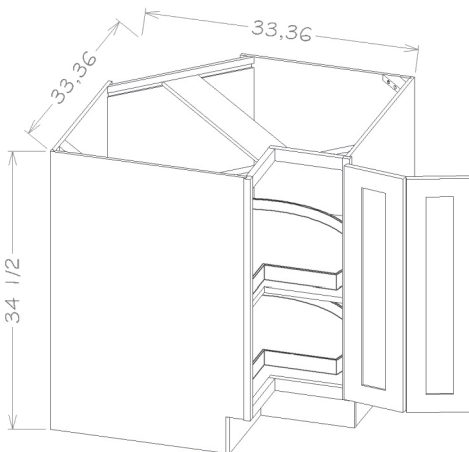
# PRODUCT SPECIFICATIONS

## Base Easy Reach



Model	Description	Width	Height	Depth
BER33	Cabinet Dimension	33	34½	24
	Door Dimension	7 <sup>5</sup> / <sub>8</sub>	29	¾
BER36	Cabinet Dimension	36	34½	24
	Door Dimension	10 <sup>5</sup> / <sub>8</sub>	29	¾

## Base Easy Reach with Lazy Susan Trays

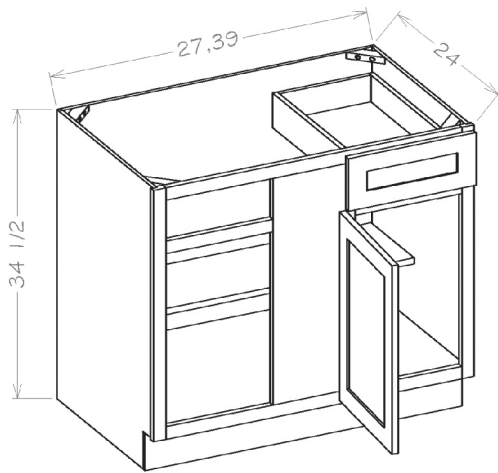


Model	Description	Width	Height	Depth
LSB33	Cabinet Dimension	33	34½	24
	Door Dimension	7 <sup>5</sup> / <sub>8</sub>	29	¾
LSB36	Cabinet Dimension	36	34½	24
	Door Dimension	10 <sup>5</sup> / <sub>8</sub>	29	¾

- LSB33 Inside Opening is 11.5" W and Wooden Lazy Susan Tray is 27.5" W (Comes in a separate box)
- LSB36 Inside Opening is 15.5" W and Wooden Lazy Susan Tray is 27.5" W (Comes in a separate box)
- Two boxes will be received when ordering this cabinet kit flat pack.



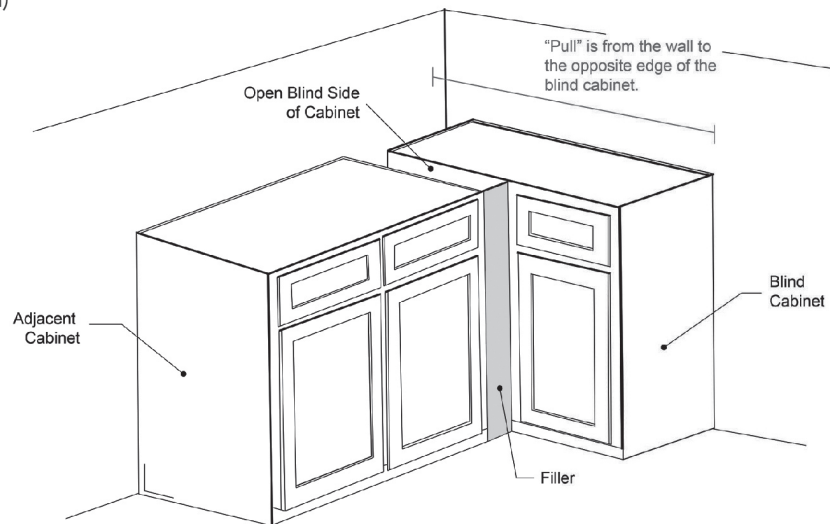
Blind Bases



Model	Description	Width	Height	Depth
BBC36	Door Opening	6 <sup>3</sup> / <sub>4</sub>	20 <sup>1</sup> / <sub>2</sub>	22 <sup>3</sup> / <sub>4</sub>
	Cabinet Dimension	27	34 <sup>1</sup> / <sub>2</sub>	24
	Door Dimension	9 <sup>3</sup> / <sub>4</sub>	22 <sup>1</sup> / <sub>2</sub>	3 <sup>1</sup> / <sub>4</sub>
	Drawer Front	9 <sup>3</sup> / <sub>4</sub>	6 <sup>1</sup> / <sub>4</sub>	3 <sup>1</sup> / <sub>4</sub>
	Drawer Box	6 <sup>1</sup> / <sub>2</sub>	3 <sup>3</sup> / <sub>8</sub>	20 <sup>3</sup> / <sub>8</sub>
BBC42	Door Opening	12 <sup>3</sup> / <sub>4</sub>	20 <sup>1</sup> / <sub>2</sub>	22 <sup>3</sup> / <sub>4</sub>
	Cabinet Dimension	39	34 <sup>1</sup> / <sub>2</sub>	24
	Door Dimension	15 <sup>3</sup> / <sub>4</sub>	22 <sup>1</sup> / <sub>2</sub>	3 <sup>1</sup> / <sub>4</sub>
	Drawer Front	15 <sup>3</sup> / <sub>4</sub>	6 <sup>1</sup> / <sub>4</sub>	3 <sup>1</sup> / <sub>4</sub>
	Drawer Box	12 <sup>3</sup> / <sub>8</sub>	3 <sup>3</sup> / <sub>8</sub>	20 <sup>3</sup> / <sub>8</sub>

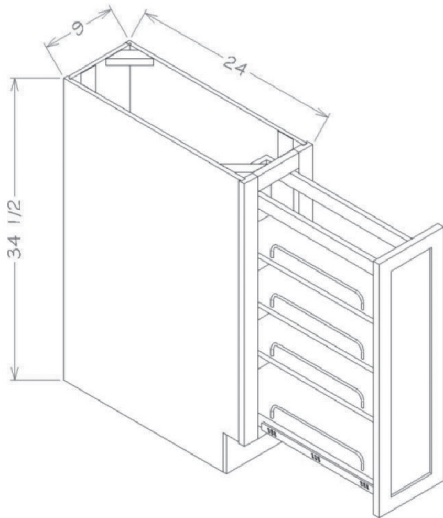
Model	Box Size	Min	Max	Stile
BBC36	27	36 <sup>1</sup> / <sub>2</sub>	43	10
BBC42	39	42 <sup>1</sup> / <sub>2</sub>	49	10

- Must Use Filler (not supplied)



# PRODUCT SPECIFICATIONS

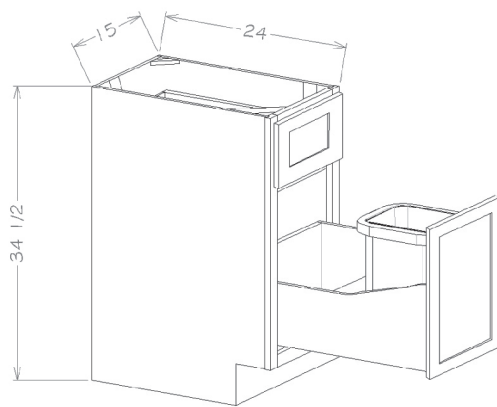
## Accessory Base Cabinets - Full Height Door Base Kit with Shelf Pullout



Model	Description	Width	Height	Depth
BT9PO	Cabinet Dimension	9	34½	24
	Door Dimension	8½	29	¾
	Pullout Dimension	6	25½	22 ¾

- Pullout is mounted to the cabinet floor and door.
- Full-extension slides with BLUMOTION soft-close (110 lb weight capacity).
- Two boxes will be received when ordering this cabinet kit flat pack.

## Accessory Base Cabinets - Single Door Single Drawer Base Kit with Single Trashcan Pullout

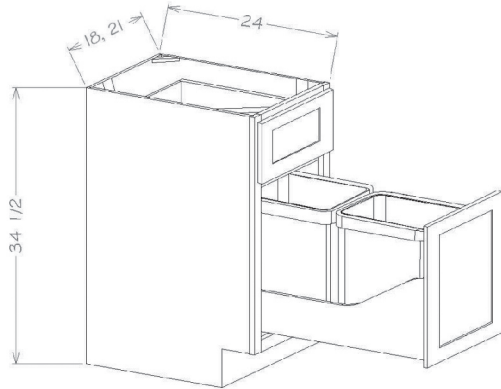


Model	Description	Width	Height	Depth
B15TCPO	Cabinet Dimension	15	34½	24
	Door Dimension	14½	22½	¾
	Drawer Front	14½	6 ¼	¾
	Drawer Box	11	3 ¼	20 ¾
	Pullout Dimension	12	19½	21 21/32
	Trashcan Dimension	14 3/16	17 7/8	10½

- Pullout is mounted to the cabinet floor and door.
- Full-extension slides with BLUMOTION soft-close (110 lb weight capacity).
- Two boxes will be received when ordering this cabinet kit flat pack.



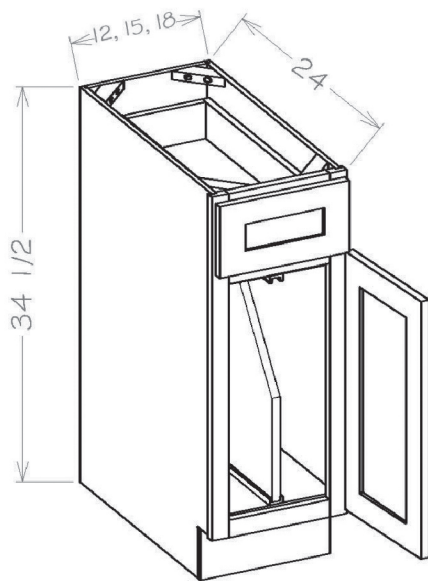
Accessory Base Cabinets - Single Door Single Drawer Base Kit with Double Trashcan Pullout



- Pullout is mounted to the cabinet floor and door.
- Full-extension slides with BLUMOTION soft-close (110 lb weight capacity).
- Two boxes will be received when ordering this cabinet kit flat pack.

Model	Description	Width	Height	Depth
B18TCPO	Cabinet Dimension	18	34½	24
	Door Dimension	17½	22½	¾
	Drawer Front	17½	6 ¼	¾
	Drawer Box	14	3 ¼	20¾
	Pullout Dimension	15	19½	21 <sup>21</sup> / <sub>32</sub>
	Trashcan Dimension	14 <sup>3</sup> / <sub>16</sub>	17 <sup>7</sup> / <sub>8</sub>	10½
B21TCPO	Cabinet Dimension	21	34½	24
	Door Dimension	20½	22½	¾
	Drawer Front	20½	6 ¼	¾
	Drawer Box	17	3 ¼	20¾
	Pullout Dimension	18	19½	21 <sup>21</sup> / <sub>32</sub>
	Trashcan Dimension	14 <sup>3</sup> / <sub>16</sub>	17 <sup>7</sup> / <sub>8</sub>	10½

Accessory Base Cabinets - Tray Divider Base Kit

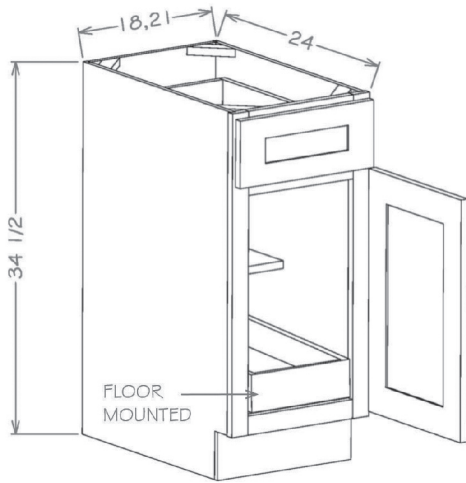


Model	Description	Width	Height	Depth
B12TD	Cabinet Dimension	12	34½	24
	Door Dimension	11½	22½	¾
	Drawer Front	11½	6¼	¾
	Drawer Box	8	3¼	20¾
	Tray Divider	¾	21	22½
B15TD	Cabinet Dimension	15	34½	24
	Door Dimension	14½	22½	¾
	Drawer Front	14½	6¼	¾
	Drawer Box	11	3¼	20¾
	Tray Divider	¾	21	22½
B18TD	Cabinet Dimension	18	34½	24
	Door Dimension	17½	22½	¾
	Drawer Front	17½	6¼	¾
	Drawer Box	14	3¼	20¾
	Tray Divider	¾	21	22½

- B18TD Includes Two Dividers
- Two boxes will be received when ordering this cabinet kit flat pack.

# PRODUCT SPECIFICATIONS

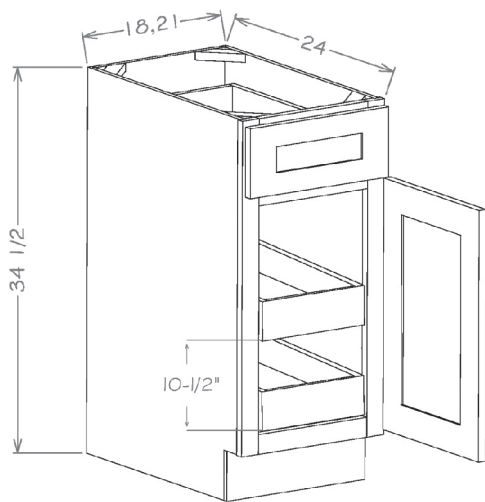
## Accessory Base Cabinets - Single Door Single Drawer One Rollout Shelf Base Kit



Model	Description	Width	Height	Depth
B181RS	Cabinet Dimension	18	34½	24
	Door Dimension	17½	22½	¾
	Drawer Front	17½	6¼	¾
	Drawer Box	14	¾	20¾
	Rollout Shelf	13¾	¾	20⅞
B211RS	Cabinet Dimension	21	34½	24
	Door Dimension	20½	22½	¾
	Drawer Front	20½	6¼	¾
	Drawer Box	17	¾	20¾
	Rollout Shelf	16¾	¾	20⅞

- Assembled cabinets with Rollout Shelf kits are ONLY installed as indicated in the line drawing
- Two boxes will be received when ordering this cabinet kit flat pack.
- Rollout Shelf glides are side mounted ball bearing with no soft close.

## Accessory Base Cabinets - Single Door Single Drawer Two Rollout Shelf Base Kit

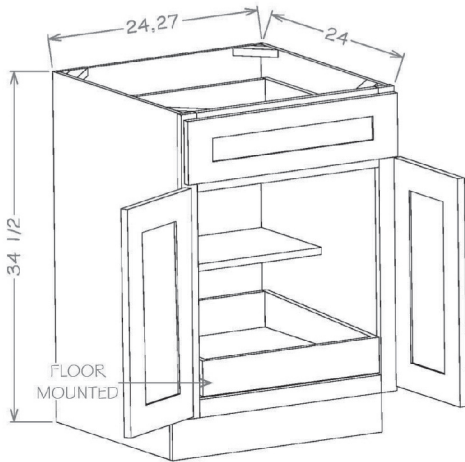


Model	Description	Width	Height	Depth
B182RS	Cabinet Dimension	18	34½	24
	Door Dimension	17½	22½	¾
	Drawer Front	17½	6¼	¾
	Drawer Box	14	¾	20¾
	Rollout Shelf	13¾	¾	20⅞
B212RS	Cabinet Dimension	21	34½	24
	Door Dimension	20½	22½	¾
	Drawer Front	20½	6¼	¾
	Drawer Box	17	¾	20¾
	Rollout Shelf	16¾	¾	20⅞

- Assembled cabinets with Rollout Shelf kits are ONLY installed as indicated in the line drawing
- Three boxes will be received when ordering this cabinet kit flat pack.
- Rollout Shelf glides are side mounted ball bearing with no soft close.



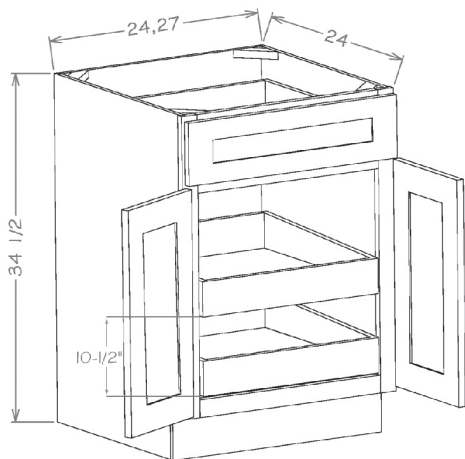
Accessory Base Cabinets - Double Door Single Drawer One Rollout Shelf Base Kit



Model	Description	Width	Height	Depth
B241RS	Cabinet Dimension	24	34½	24
	Door Dimension	11¾	22½	¾
	Drawer Front	23½	6¼	¾
	Drawer Box	20	¾	20⅜
	Rollout Shelf	19½	3⅜	20⅞
B271RS	Cabinet Dimension	27	34½	24
	Door Dimension	13¼	22½	¾
	Drawer Front	26½	6¼	¾
	Drawer Box	23	¾	20⅜
	Rollout Shelf	22½	3⅜	20⅞

- Assembled cabinets with Rollout Shelf kits are ONLY installed as indicated in the line drawing
- Two boxes will be received when ordering this cabinet kit flat pack.
- Rollout Shelf glides are side mounted ball bearing with no soft close.

Accessory Base Cabinets - Double Door Single Drawer Two Rollout Shelf Base Kit

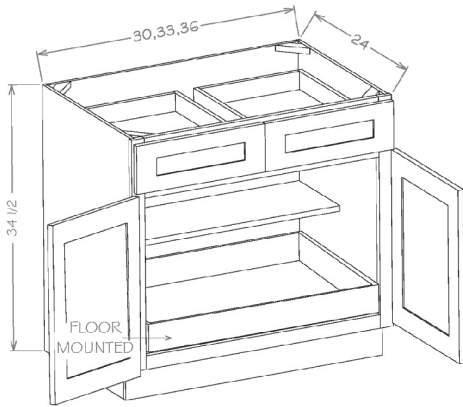


Model	Description	Width	Height	Depth
B242RS	Cabinet Dimension	24	34½	24
	Door Dimension	11¾	22½	¾
	Drawer Front	23½	6¼	¾
	Drawer Box	20	¾	20⅜
	Rollout Shelf	19½	3⅜	20⅞
B272RS	Cabinet Dimension	27	34½	24
	Door Dimension	13¼	22½	¾
	Drawer Front	26½	6¼	¾
	Drawer Box	23	¾	20⅜
	Rollout Shelf	22½	3⅜	20⅞

- Assembled cabinets with Rollout Shelf kits are ONLY installed as indicated in the line drawing
- Three boxes will be received when ordering this cabinet kit flat pack.
- Rollout Shelf glides are side mounted ball bearing with no soft close.

# PRODUCT SPECIFICATIONS

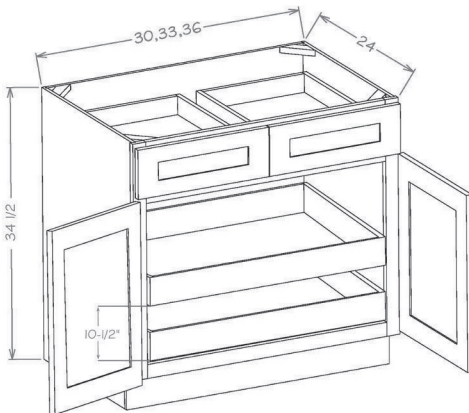
## Accessory Base Cabinets - Double Door Double Drawer One Rollout Shelf Base Kit



- Assembled cabinets with Rollout Shelf kits are ONLY installed as indicated in the line drawing
- Two boxes will be received when ordering this cabinet kit flat pack.
- Rollout Shelf glides are side mounted ball bearing with no soft close.

Model	Description	Width	Height	Depth
B301RS	Cabinet Dimension	30	34½	24
	Door Dimension	14¾	22½	¾
	Drawer Front	14¾	6¼	¾
	Drawer Box	12	3¼	20¾
	Rollout Shelf	25¾	3¾	20⅞
B331RS	Cabinet Dimension	33	34½	24
	Door Dimension	16¼	22½	¾
	Drawer Front	16¼	6¼	¾
	Drawer Box	13½	3¼	20¾
	Rollout Shelf	28¾	3¾	20⅞
B361RS	Cabinet Dimension	36	34½	24
	Door Dimension	17¾	22½	¾
	Drawer Front	17¾	6¼	¾
	Drawer Box	15	3¼	20¾
	Rollout Shelf	31¾	3¾	20⅞

## Accessory Base Cabinets - Double Door Double Drawer Two Rollout Shelf Base Kit

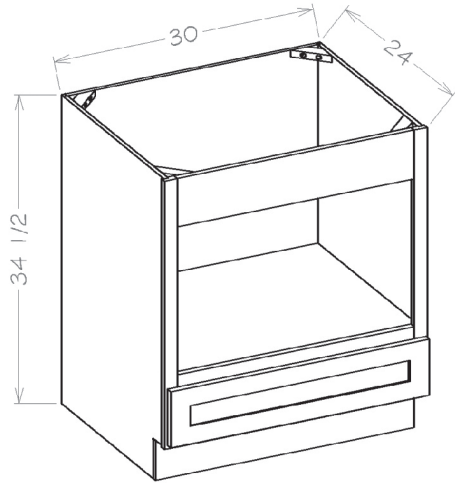


- Assembled cabinets with Rollout Shelf kits are ONLY installed as indicated in the line drawing
- Three boxes will be received when ordering this cabinet kit flat pack.
- Rollout Shelf glides are side mounted ball bearing with no soft close.

Model	Description	Width	Height	Depth
B302RS	Cabinet Dimension	30	34½	24
	Door Dimension	14¾	22½	¾
	Drawer Front	14¾	6¼	¾
	Drawer Box	12	3¼	20¾
	Rollout Shelf	25¾	3¾	20⅞
B332RS	Cabinet Dimension	33	34½	24
	Door Dimension	16¼	22½	¾
	Drawer Front	16¼	6¼	¾
	Drawer Box	13½	3¼	20¾
	Rollout Shelf	28¾	3¾	20⅞
B362RS	Cabinet Dimension	36	34½	24
	Door Dimension	17¾	22½	¾
	Drawer Front	17¾	6¼	¾
	Drawer Box	15	3¼	20¾
	Rollout Shelf	31¾	3¾	20⅞



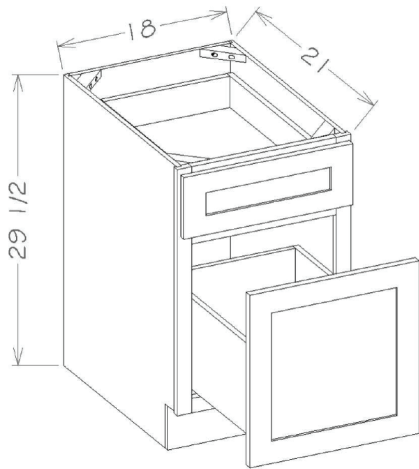
## Specialty Bases - Base Microwave Cabinet



Model	Description	Width	Height	Depth
BMW30	Cabinet Dimension	30	34½	24
	Microwave Opening	26½	16½	23
	Drawer Front	29½	6¼	¾
	Drawer Box	26	3¾	21

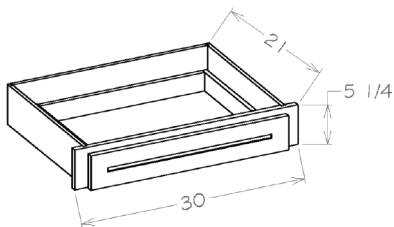
- Microwave Opening trimmable to 20⅞" High

## Specialty Bases - Drawer File Base



Model	Description	Width	Height	Depth
DFB18	Cabinet Dimension	18	29½	21
	Top Drawer Front	17½	6¼	¾
	Bottom Drawer Front	17½	17½	¾
	Top Drawer Box	14	3¾	17¾
	Bottom Drawer Box	14	9¼	17¾

## Specialty Bases - Desk Knee Drawer



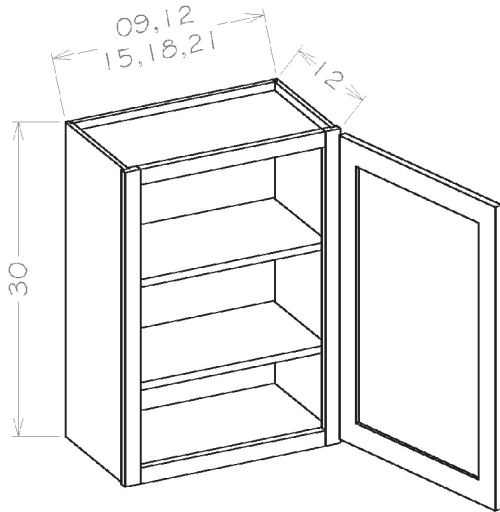
Model	Description	Width	Height	Depth
DKD30	Cabinet Dimension	30	5¼	21
	Drawer Front	26	4¾	¾
	Drawer Box	23	3¼	17¾

- Trimmable to 27" wide



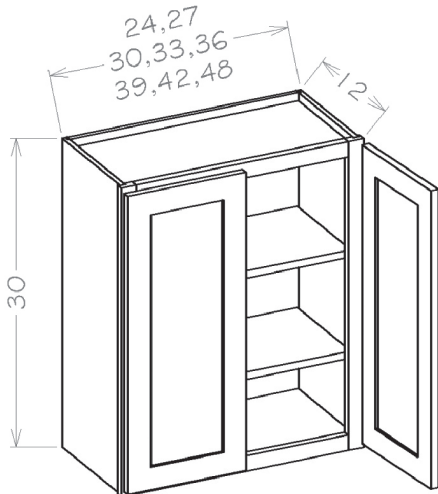
# PRODUCT SPECIFICATIONS

## 30" High Wall Cabinets - Single Door \*2 adjustable Shelves



Model	Description	Width	Height	Depth
W0930	Cabinet Dimension	9	30	12
	Door Dimension	8½	29	¾
W1230	Cabinet Dimension	12	30	12
	Door Dimension	11½	29	¾
W1530	Cabinet Dimension	15	30	12
	Door Dimension	14½	29	¾
W1830	Cabinet Dimension	18	30	12
	Door Dimension	17½	29	¾
W2130	Cabinet Dimension	21	30	12
	Door Dimension	20½	29	¾

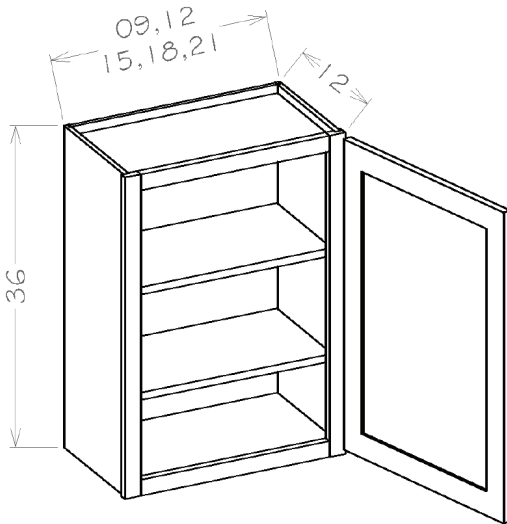
## 30" High Wall Cabinets - Double Door \*2 adjustable Shelves



Model	Description	Width	Height	Depth
W2430	Cabinet Dimension	24	30	12
	Door Dimension	11¾	29	¾
W2730	Cabinet Dimension	27	30	12
	Door Dimension	13¾	29	¾
W3030	Cabinet Dimension	30	30	12
	Door Dimension	14¾	29	¾
W3330	Cabinet Dimension	33	30	12
	Door Dimension	16¼	29	¾
W3630	Cabinet Dimension	36	30	12
	Door Dimension	17¾	29	¾

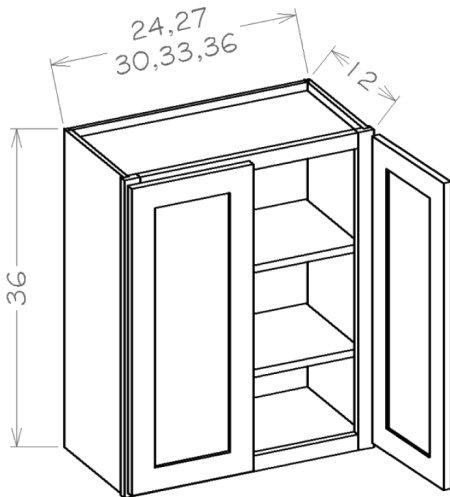


**36" High Wall Cabinets - Single Door \*2 adjustable Shelves**



Model	Description	Width	Height	Depth
W0936	Cabinet Dimension	9	36	12
	Door Dimension	8½	35	¾
W1236	Cabinet Dimension	12	36	12
	Door Dimension	11½	35	¾
W1536	Cabinet Dimension	15	36	12
	Door Dimension	14½	35	¾
W1836	Cabinet Dimension	18	36	12
	Door Dimension	17½	35	¾
W2136	Cabinet Dimension	21	36	12
	Door Dimension	20½	35	¾

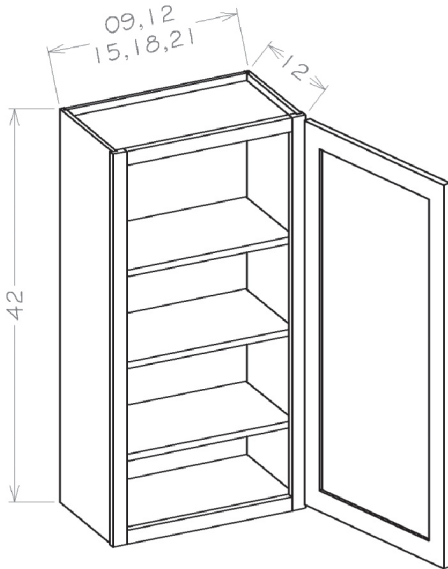
**36" High Wall Cabinets - Double Door \*2 adjustable Shelves**



Model	Description	Width	Height	Depth
W2436	Cabinet Dimension	24	36	12
	Door Dimension	11¾	35	¾
W2736	Cabinet Dimension	27	36	12
	Door Dimension	13¾	35	¾
W3036	Cabinet Dimension	30	36	12
	Door Dimension	14¾	35	¾
W3336	Cabinet Dimension	33	36	12
	Door Dimension	16¾	35	¾
W3636	Cabinet Dimension	36	36	12
	Door Dimension	17¾	35	¾

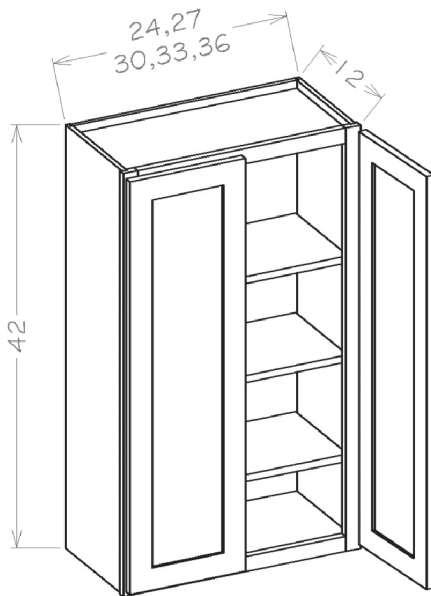
# PRODUCT SPECIFICATIONS

## 42" High Wall Cabinets - Single Door \*3 adjustable Shelves



Model	Description	Width	Height	Depth
W0942	Cabinet Dimension	9	42	12
	Door Dimension	8½	41	¾
W1242	Cabinet Dimension	12	42	12
	Door Dimension	11½	41	¾
W1542	Cabinet Dimension	15	42	12
	Door Dimension	14½	41	¾
W1842	Cabinet Dimension	18	42	12
	Door Dimension	17½	41	¾
W2142	Cabinet Dimension	21	42	12
	Door Dimension	20½	41	¾

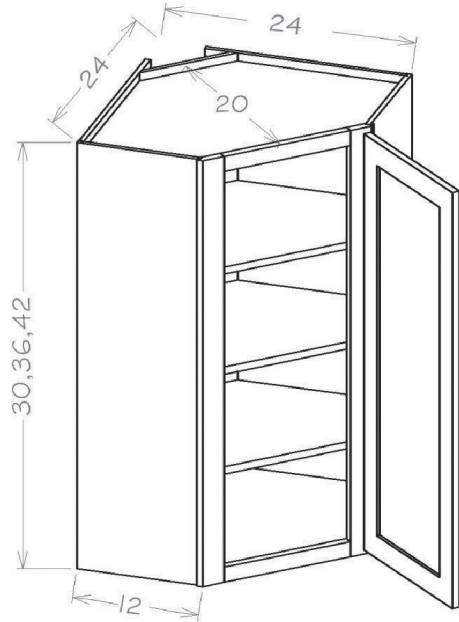
## 42" High Wall Cabinets - Double Door \*3 adjustable Shelves



Model	Description	Width	Height	Depth
W2442	Cabinet Dimension	24	42	12
	Door Dimension	11¾	41	¾
W2742	Cabinet Dimension	27	42	12
	Door Dimension	13¾	41	¾
W3042	Cabinet Dimension	30	42	12
	Door Dimension	14¾	41	¾
W3342	Cabinet Dimension	33	42	12
	Door Dimension	16¼	41	¾
W3642	Cabinet Dimension	36	42	12
	Door Dimension	17¾	41	¾



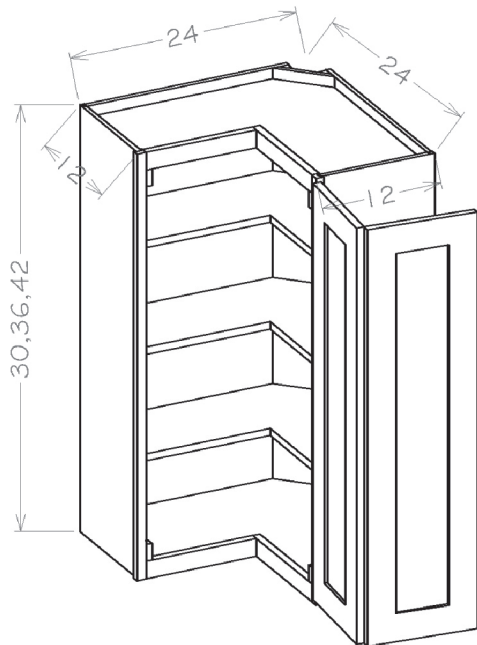
**Diagonal Corner Wall Cabinets**



Model	Description	Width	Height	Depth
DCW2430	Cabinet Dimension	24	30	12
	Door Dimension	15¼	29	¾
DCW2436	Cabinet Dimension	24	36	12
	Door Dimension	15¼	35	¾
DCW2442	Cabinet Dimension	24	42	12
	Door Dimension	15¼	41	¾

- DCW Inside Openings are 12<sup>1</sup>/<sub>8</sub>" Wide
- 30 and 36"H cabinets only have two shelves.

**Wall Easy Reach**

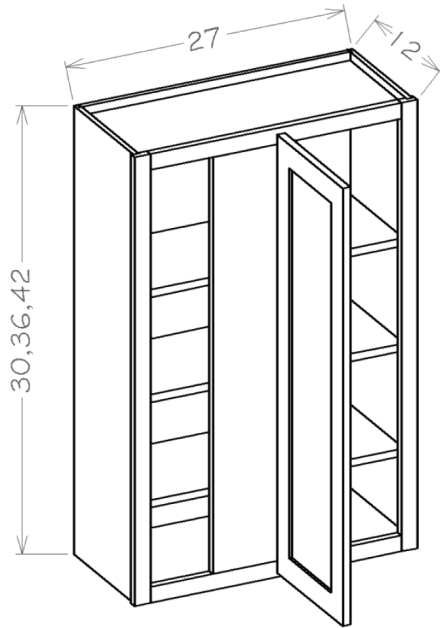


Model	Description	Width	Height	Depth
WER2430	Cabinet Dimension	24	30	12
	Door Dimension	10 <sup>5</sup> / <sub>8</sub>	29	¾
WER2436	Cabinet Dimension	24	36	12
	Door Dimension	10 <sup>5</sup> / <sub>8</sub>	35	¾
WER2442	Cabinet Dimension	24	42	12
	Door Dimension	10 <sup>5</sup> / <sub>8</sub>	41	¾

- 30 and 36"H cabinets only have two shelves.

# PRODUCT SPECIFICATIONS

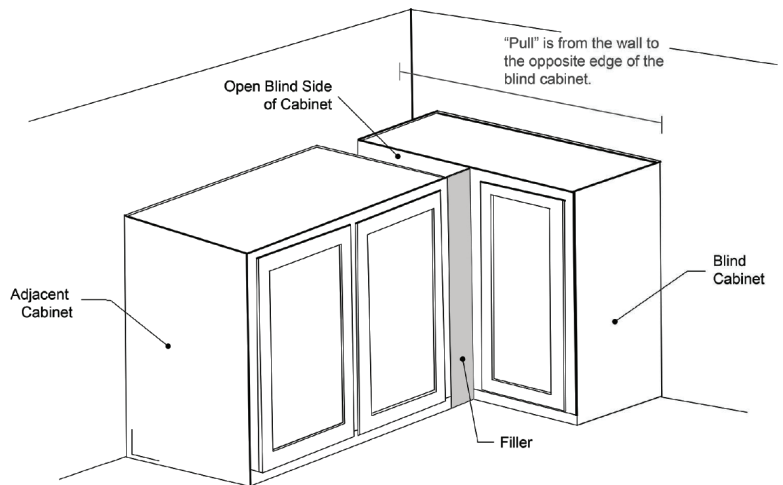
## Wall Blind Cabinets



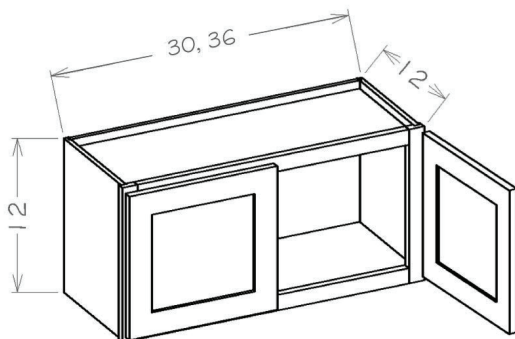
Model	Description	Width	Height	Depth
WBC2730	Cabinet Dimension	27	30	12
	Door Dimension	12½	29	¾
	Door Opening	7¾	26½	12
WBC2736	Cabinet Dimension	27	36	12
	Door Dimension	12½	35	¾
	Door Opening	7¾	32½	12
WBC2742	Cabinet Dimension	27	42	12
	Door Dimension	12½	41	¾
	Door Opening	7¾	38½	12

Box Size	Min	Max	Stile
27	28	31	8

- Must Use Filler (not supplied)



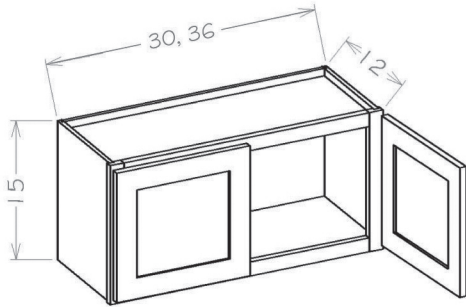
## Bridge Cabinets - 12" High



Model	Description	Width	Height	Depth
W3012	Cabinet Dimension	30	12	12
	Door Dimension	14¾	11	¾
W3612	Cabinet Dimension	36	12	12
	Door Dimension	17¾	11	¾

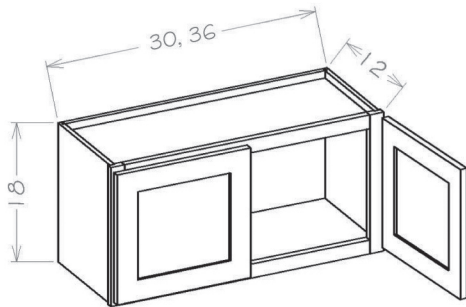


**Bridge Cabinets - 15" High**



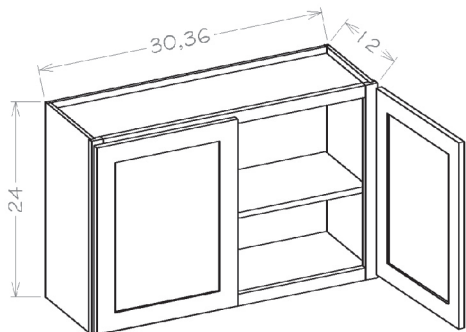
Model	Description	Width	Height	Depth
W3015	Cabinet Dimension	30	15	12
	Door Dimension	14 <sup>3</sup> / <sub>4</sub>	14	<sup>3</sup> / <sub>4</sub>
W3615	Cabinet Dimension	36	15	12
	Door Dimension	17 <sup>3</sup> / <sub>4</sub>	14	<sup>3</sup> / <sub>4</sub>

**Bridge Cabinets - 18" High**



Model	Description	Width	Height	Depth
W3018	Cabinet Dimension	30	18	12
	Door Dimension	14 <sup>3</sup> / <sub>4</sub>	17	<sup>3</sup> / <sub>4</sub>
W3618	Cabinet Dimension	36	18	12
	Door Dimension	17 <sup>3</sup> / <sub>4</sub>	17	<sup>3</sup> / <sub>4</sub>

**Bridge Cabinets - 24" High**

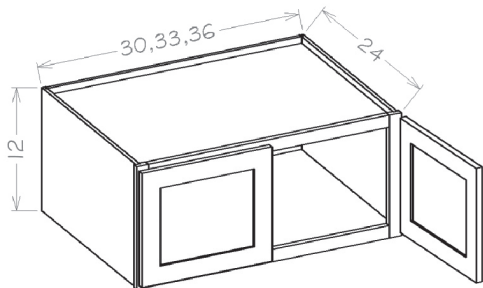


Model	Description	Width	Height	Depth
W3024	Cabinet Dimension	30	24	12
	Door Dimension	14 <sup>3</sup> / <sub>4</sub>	23	<sup>3</sup> / <sub>4</sub>
W3624	Cabinet Dimension	36	24	12
	Door Dimension	17 <sup>3</sup> / <sub>4</sub>	23	<sup>3</sup> / <sub>4</sub>

- All 24" High Cabinets Include One Inner Shelf

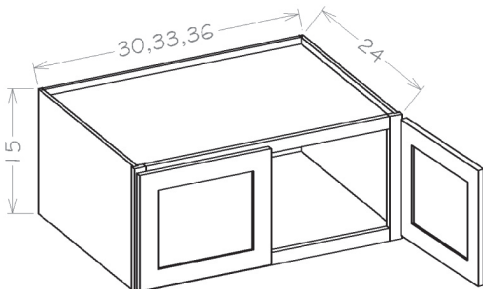
# PRODUCT SPECIFICATIONS

## Wall Refrigerator Cabinets - 12" H (24" deep)



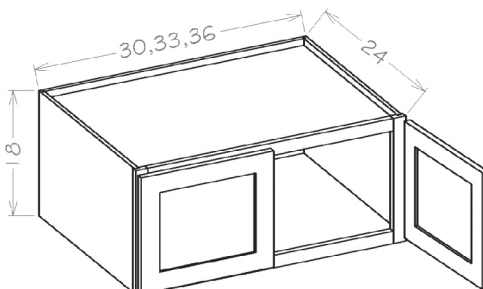
Model	Description	Width	Height	Depth
W301224	Cabinet Dimension	30	12	24
	Door Dimension	14¾	11	¾
W331224	Cabinet Dimension	33	12	24
	Door Dimension	16½	11	¾
W361224	Cabinet Dimension	36	12	24
	Door Dimension	17¾	11	¾

## Wall Refrigerator Cabinets - 15" H (24" deep)



Model	Description	Width	Height	Depth
W301524	Cabinet Dimension	30	15	24
	Door Dimension	14¾	14	¾
W331524	Cabinet Dimension	33	15	24
	Door Dimension	16½	14	¾
W361524	Cabinet Dimension	36	15	24
	Door Dimension	17¾	14	¾

## Wall Refrigerator Cabinets - 18" H (24" deep)



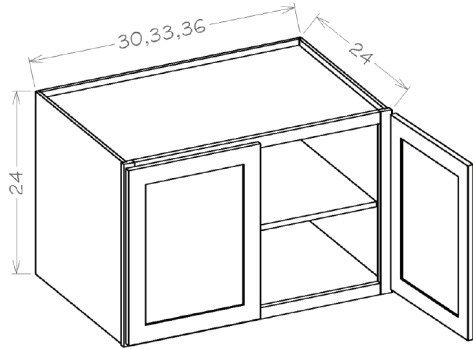
Model	Description	Width	Height	Depth
W301824	Cabinet Dimension	30	18	24
	Door Dimension	14¾	17	¾
W331824	Cabinet Dimension	33	18	24
	Door Dimension	16½	17	¾
W361824	Cabinet Dimension	36	18	24
	Door Dimension	17¾	17	¾





# PRODUCT SPECIFICATIONS

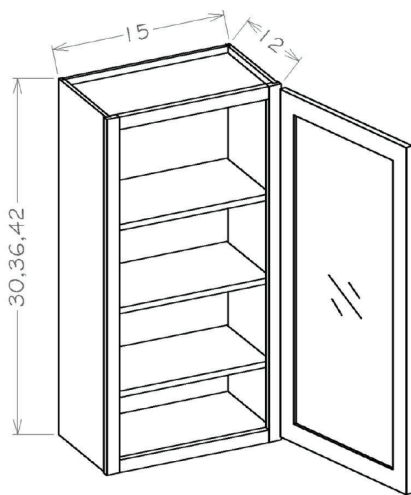
## Wall Refrigerator Cabinets - 24" H (24" deep)



Model	Description	Width	Height	Depth
W302424	Cabinet Dimension	30	24	24
	Door Dimension	14¾	23	¾
W332424	Cabinet Dimension	33	24	24
	Door Dimension	16½	23	¾
W362424	Cabinet Dimension	36	24	24
	Door Dimension	17¾	23	¾

- All 24" High Cabinets Include One Inner Shelf

## Glass Door Wall Cabinets - Single Door



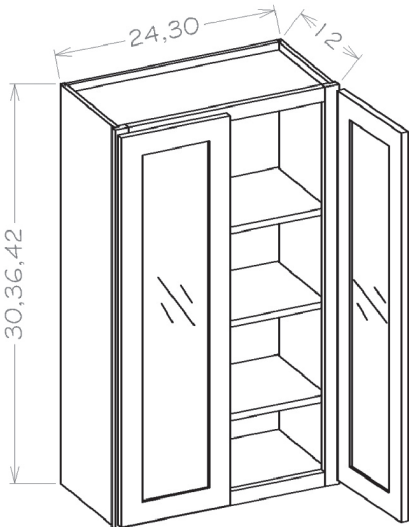
Model	Description	Width	Height	Depth
W1530GD	Cabinet Dimension	15	30	12
	Door Dimension	14½	29	¾
W1536GD	Cabinet Dimension	15	36	12
	Door Dimension	14½	35	¾
W1542GD	Cabinet Dimension	15	42	12
	Door Dimension	14½	41	¾

- These cabinets do not come with mullions or glass
- The interior is painted/stained to match the exterior



# PRODUCT SPECIFICATIONS

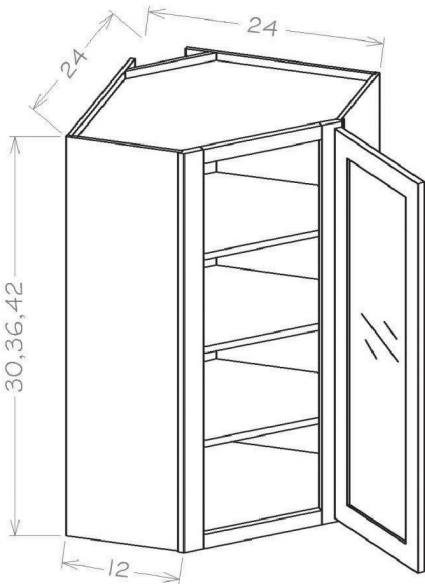
## Glass Door Wall Cabinets - Double Door



Model	Description	Width	Height	Depth
W2430GD	Cabinet Dimension	24	30	12
	Door Dimension	11 $\frac{3}{4}$	29	$\frac{3}{4}$
W2436GD	Cabinet Dimension	24	36	12
	Door Dimension	11 $\frac{3}{4}$	35	$\frac{3}{4}$
W2442GD	Cabinet Dimension	24	42	12
	Door Dimension	11 $\frac{3}{4}$	41	$\frac{3}{4}$
W3030GD	Cabinet Dimension	30	30	12
	Door Dimension	14 $\frac{3}{4}$	29	$\frac{3}{4}$
W3036GD	Cabinet Dimension	30	36	12
	Door Dimension	14 $\frac{3}{4}$	35	$\frac{3}{4}$
W3042GD	Cabinet Dimension	30	42	12
	Door Dimension	14 $\frac{3}{4}$	41	$\frac{3}{4}$

- These cabinets do not come with mullions or glass
- The interior is painted/stained to match the exterior

## Glass Door Diagonal Wall Cabinet



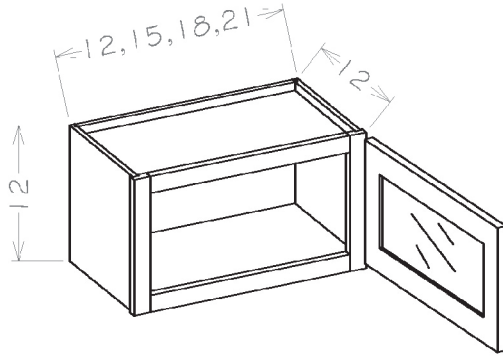
Model	Description	Width	Height	Depth
DCW2430GD	Cabinet Dimension	24	30	12
	Door Dimension	15 $\frac{1}{4}$	29	$\frac{3}{4}$
DCW2436GD	Cabinet Dimension	24	36	12
	Door Dimension	15 $\frac{1}{4}$	35	$\frac{3}{4}$
DCW2442GD	Cabinet Dimension	24	42	12
	Door Dimension	15 $\frac{1}{4}$	41	$\frac{3}{4}$

- These cabinets do not come with mullions or glass
- The interior is painted/stained to match the exterior
- DCW Inside Openings are 12 $\frac{1}{8}$ " Wide



# PRODUCT SPECIFICATIONS

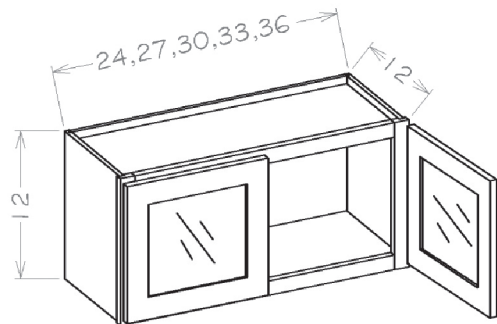
## Glass Door Wall Stacker Cabinets 12"H - Single Door



Model	Description	Width	Height	Depth
W1212GD	Cabinet Dimension	12	12	12
	Door Dimension	11½	11	¾
W1512GD	Cabinet Dimension	15	12	12
	Door Dimension	14½	11	¾
W1812GD	Cabinet Dimension	18	12	12
	Door Dimension	17½	11	¾
W2112GD	Cabinet Dimension	21	12	12
	Door Dimension	20½	11	¾

- These cabinets do not come with mullions or glass
- The interior is painted/stained to match the exterior

## Glass Door Wall Stacker Cabinets 12"H - Double Door

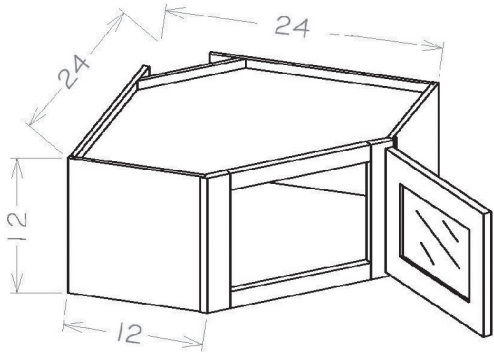


Model	Description	Width	Height	Depth
W2412GD	Cabinet Dimension	24	12	12
	Door Dimension	11¾	11	¾
W2712GD	Cabinet Dimension	27	12	12
	Door Dimension	13¾	11	¾
W3012GD	Cabinet Dimension	30	12	12
	Door Dimension	14¾	11	¾
W3312GD	Cabinet Dimension	33	12	12
	Door Dimension	16¼	11	¾
W3612GD	Cabinet Dimension	36	12	12
	Door Dimension	17¾	11	¾

- These cabinets do not come with mullions or glass
- The interior is painted/stained to match the exterior

# PRODUCT SPECIFICATIONS

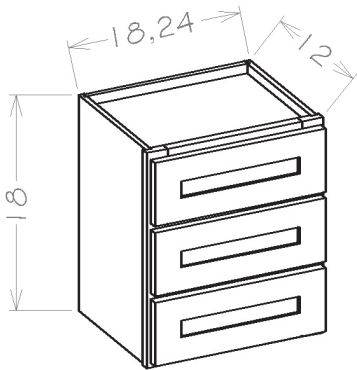
## Glass Door Diagonal Wall Stacker Cabinets 12" H



Model	Description	Width	Height	Depth
DCW2412GD	Cabinet Dimension	24	12	12
	Door Dimension	15¼	11	¾

- These cabinets do not come with mullions or glass
- The interior is painted/stained to match the exterior

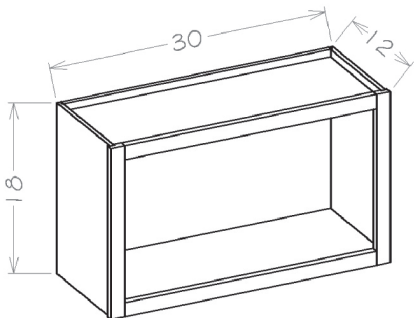
## Wall Accessory Cabinets - Three Drawer Tower Stacking Cabinet



Model	Description	Width	Height	Depth
W3D18	Cabinet Dimension	18	18	12
	Drawer Front	17½	5⅜	¾
	Drawer Box	13½	2	9⅞
W3D24	Cabinet Dimension	24	18	12
	Drawer Front	23½	5⅜	¾
	Drawer Box	19½	2	9⅞

- Side mounted ball bearing glides with no soft close

## Wall Accessory Cabinets - Wall Open Cabinet



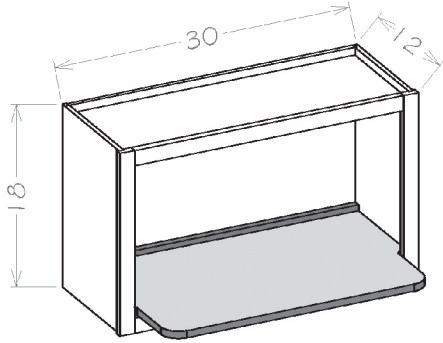
Model	Description	Width	Height	Depth
WOC3018	Cabinet Dimension	30	18	12
	No Doors	N/A	N/A	N/A





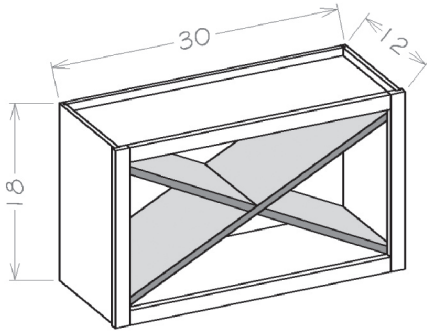
# PRODUCT SPECIFICATIONS

## Wall Accessory Cabinets - Wall Open Cabinet Microwave Shelf Insert



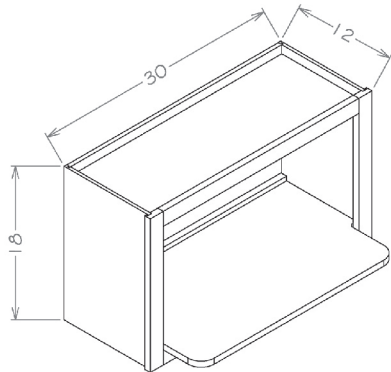
Model	Description	Width	Height	Depth
WMSSHELF	Installed Shelf Dimension	26½	¾	17

## Wall Accessory Cabinets - Wall Open Cabinet - X Rack Insert



Model	Description	Width	Height	Depth
WXRSHELF	Installed Shelf Dimension	26½	14½	11

## Wall Accessory Cabinets - Wall Microwave Cabinet Kits

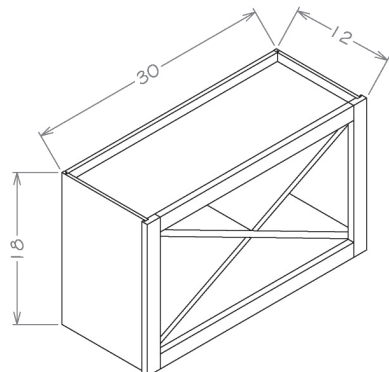


Model	Description	Width	Height	Depth
WMS3018	Cabinet Dimension	30	18	12
	Shelf Dimension	26½	¾	17

- Two boxes will be received when ordering this cabinet kit flat pack.

# PRODUCT SPECIFICATIONS

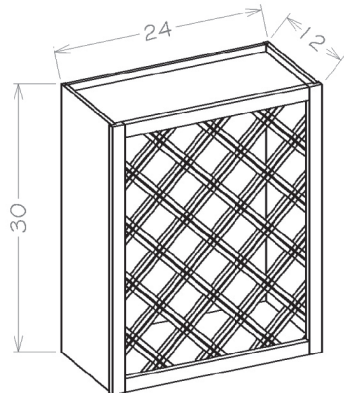
## Wall Accessory Cabinets - Wall X Rack Cabinet Kit



Model	Description	Width	Height	Depth
WXR3018	Cabinet Dimension	30	18	12
	Shelf Dimension	26½	14½	11

- Two boxes will be received when ordering this cabinet kit flat pack.

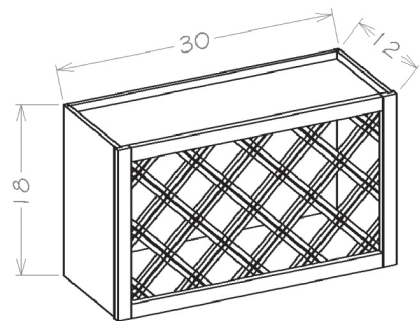
## Wall Accessory Cabinets - Wine Rack



Model	Description	Width	Height	Depth
WRC2430	Cabinet Dimension	24	30	12

- Fits 17 Bottles
- For optimal functionality, insert rear lattice 1-1/2" from the back of the cabinet.

## Wall Accessory Cabinets - Wine Rack



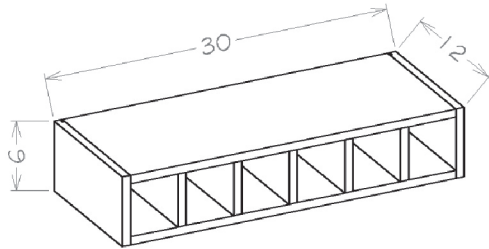
Model	Description	Width	Height	Depth
WRC3018	Cabinet Dimension	30	18	12

- Fits 10 Bottles
- For optimal functionality, insert rear lattice 1-1/2" from the back of the cabinet.



# PRODUCT SPECIFICATIONS

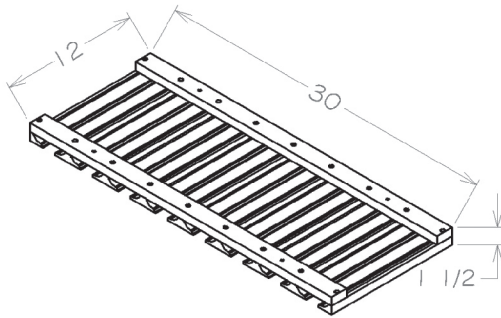
## Wall Accessory Cabinets - Wine Cubby



Model	Description	Width	Height	Depth
WWC630	Cabinet Dimension	30	6	12

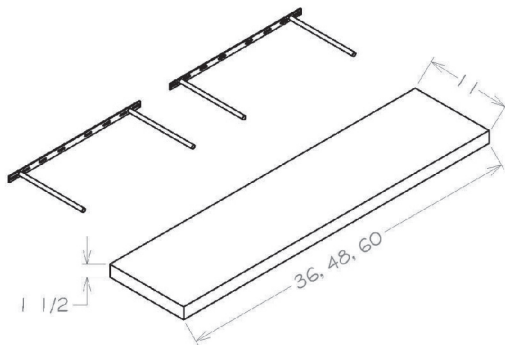
- Fits 6 Bottles

## Specialty Wall - Stem Glass Holder



Model	Description	Width	Height	Depth
SGH30	Dimension	30	1 1/2	12

## Specialty Wall - Floating Shelves

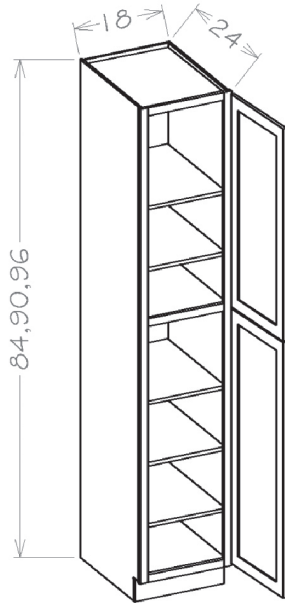


Model	Description	Width	Height	Depth
FS36	Dimension	36	1 1/2	11
FS48	Dimension	48	1 1/2	11
FS60	Dimension	60	1 1/2	11

- 36"W floating shelf only has one mounting bracket.
- Recommended Max Weight: 25 lbs

# PRODUCT SPECIFICATIONS

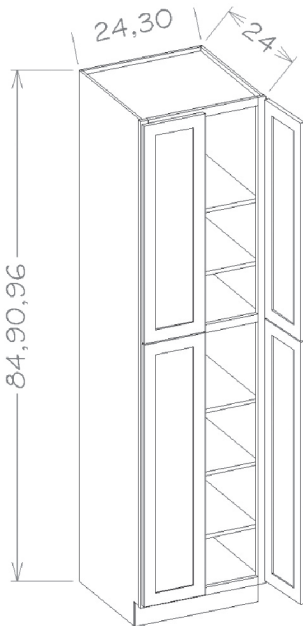
## Utility Cabinets - Two Doors



Model	Description	Width	Height	Depth
U188424	Cabinet Dimension	18	84	24
	Top Door Dimension	17½	29	¾
	Bottom Door Dimension	17½	49¼	¾
U189024	Cabinet Dimension	18	90	24
	Top Door Dimension	17½	35	¾
	Bottom Door Dimension	17½	49¼	¾
U189624	Cabinet Dimension	18	96	24
	Top Door Dimension	17½	41	¾
	Bottom Door Dimension	17½	49¼	¾

- Shaker & Traditional doors have a horizontal rail in the center of the bottom door.

## Utility Cabinets - Four Doors

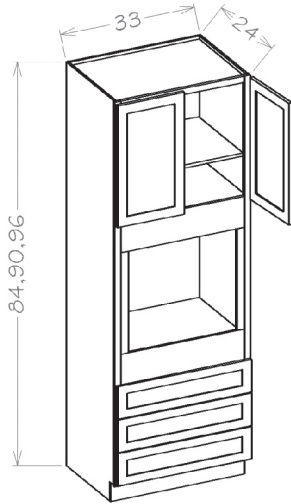


Model	Description	Width	Height	Depth
U248424	Cabinet Dimension	24	84	24
	Top Door Dimension	11¾	29	¾
	Bottom Door Dimension	11¾	49¼	¾
U249024	Cabinet Dimension	24	90	24
	Top Door Dimension	11¾	35	¾
	Bottom Door Dimension	11¾	49¼	¾
U249624	Cabinet Dimension	24	96	24
	Top Door Dimension	11¾	41	¾
	Bottom Door Dimension	11¾	49¼	¾
U309024	Cabinet Dimension	30	90	24
	Top Door Dimension	14¾	35	¾
	Bottom Door Dimension	14¾	49¼	¾
U309624	Cabinet Dimension	30	96	24
	Top Door Dimension	14¾	41	¾
	Bottom Door Dimension	14¾	49¼	¾

- Shaker & Traditional doors have a horizontal rail in the center of the bottom door.



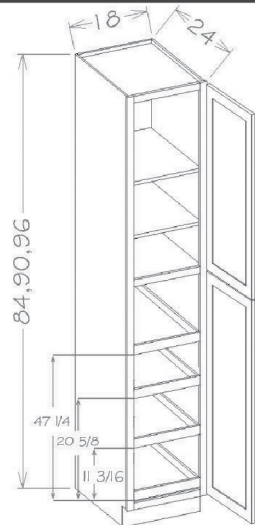
## Oven Cabinets



- Oven opening can be modied to accommodate a double oven
- Height up to 40" with removal of top drawers/cut down of top rails
- Width up to 31½" wide with cut down of stiles

Model	Description	Width	Height	Depth
O338424	Cabinet Dimension	33	84	24
	Door Dimension	16¼	17	¾
	Drawer Fronts	32½	7¾	¾
	Drawer Boxes	29	5⅛	20¾
	Oven Opening	26½	24¾	22¾
O339024	Cabinet Dimension	33	90	24
	Door Dimension	16¼	23	¾
	Drawer Fronts	32½	7¾	¾
	Drawer Boxes	29	5⅛	20¾
	Oven Opening	26½	24¾	22¾
O339624	Cabinet Dimension	33	96	24
	Door Dimension	16¼	29	¾
	Drawer Fronts	32½	7¾	¾
	Drawer Boxes	29	5⅛	20¾
	Oven Opening	26½	24¾	22¾

## Accessory Tall Cabinets - Two Door Utility Four Rollout Shelf Cabinet Kit



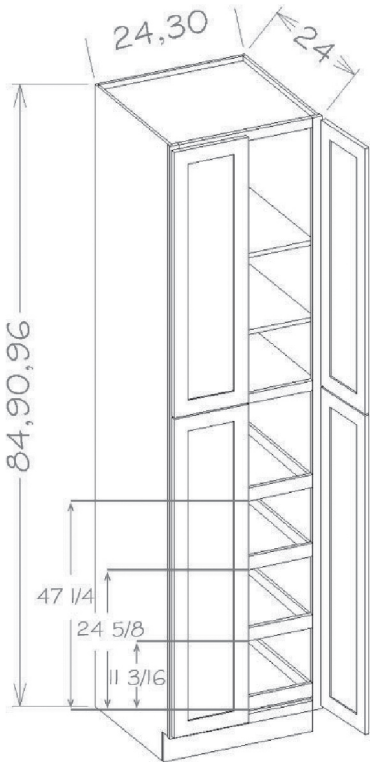
- Shaker & Traditional doors have a horizontal rail in the center of the bottom door.
- Assembled cabinets with Rollout Shelf kits are ONLY installed as indicated in the line drawing.
- Five boxes will be received when ordering this cabinet kit flat pack.
- Rollout Shelf glides are side mounted ball bearing with no soft close.

Model	Description	Width	Height	Depth
U188424RS	Cabinet Dimension	18	84	24
	Top Door Dimension	17½	29	¾
	Bottom Door Dimension	17½	49¼	¾
	Rollout Shelf	13¾	3¾	20⅞
U189024RS	Cabinet Dimension	18	90	24
	Top Door Dimension	17½	35	¾
	Bottom Door Dimension	17½	49¼	¾
	Rollout Shelf	13¾	3¾	20⅞
U189624RS	Cabinet Dimension	18	96	24
	Top Door Dimension	17½	41	¾
	Bottom Door Dimension	17½	49¼	¾
	Rollout Shelf	13¾	3¾	20⅞



# PRODUCT SPECIFICATIONS

Accessory Tall Cabinets - Four Door Utility Four Rollout Shelf Cabinet Kit



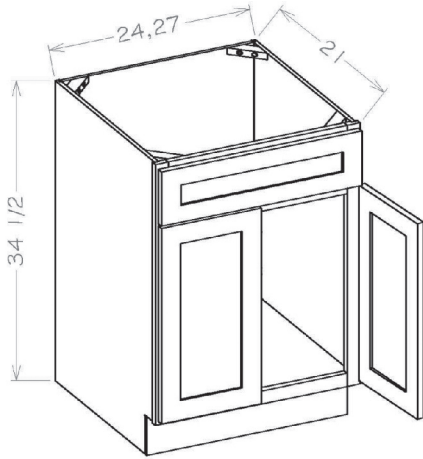
Model	Description	Width	Height	Depth
U2484244RS	Cabinet Dimension	24	84	24
	Top Door Dimension	11 <sup>3</sup> / <sub>4</sub>	29	<sup>3</sup> / <sub>4</sub>
	Bottom Door Dimension	11 <sup>3</sup> / <sub>4</sub>	49 <sup>1</sup> / <sub>4</sub>	<sup>3</sup> / <sub>4</sub>
	Rollout Shelf	19 <sup>1</sup> / <sub>2</sub>	3 <sup>3</sup> / <sub>8</sub>	20 <sup>7</sup> / <sub>16</sub>
U2490244RS	Cabinet Dimension	24	90	24
	Top Door Dimension	11 <sup>3</sup> / <sub>4</sub>	35	<sup>3</sup> / <sub>4</sub>
	Bottom Door Dimension	11 <sup>3</sup> / <sub>4</sub>	49 <sup>1</sup> / <sub>4</sub>	<sup>3</sup> / <sub>4</sub>
	Rollout Shelf	19 <sup>1</sup> / <sub>2</sub>	3 <sup>3</sup> / <sub>8</sub>	20 <sup>7</sup> / <sub>16</sub>
U2496244RS	Cabinet Dimension	24	96	24
	Top Door Dimension	11 <sup>3</sup> / <sub>4</sub>	41	<sup>3</sup> / <sub>4</sub>
	Bottom Door Dimension	11 <sup>3</sup> / <sub>4</sub>	49 <sup>1</sup> / <sub>4</sub>	<sup>3</sup> / <sub>4</sub>
	Rollout Shelf	19 <sup>1</sup> / <sub>2</sub>	3 <sup>3</sup> / <sub>8</sub>	20 <sup>7</sup> / <sub>16</sub>
U3090244RS	Cabinet Dimension	30	90	24
	Top Door Dimension	14 <sup>3</sup> / <sub>4</sub>	35	<sup>3</sup> / <sub>4</sub>
	Bottom Door Dimension	14 <sup>3</sup> / <sub>4</sub>	49 <sup>1</sup> / <sub>4</sub>	<sup>3</sup> / <sub>4</sub>
	Rollout Shelf	25 <sup>3</sup> / <sub>8</sub>	3 <sup>3</sup> / <sub>8</sub>	20 <sup>7</sup> / <sub>16</sub>
U3096244RS	Cabinet Dimension	30	96	24
	Top Door Dimension	14 <sup>3</sup> / <sub>4</sub>	41	<sup>3</sup> / <sub>4</sub>
	Bottom Door Dimension	14 <sup>3</sup> / <sub>4</sub>	49 <sup>1</sup> / <sub>4</sub>	<sup>3</sup> / <sub>4</sub>
	Rollout Shelf	25 <sup>3</sup> / <sub>8</sub>	3 <sup>3</sup> / <sub>8</sub>	20 <sup>7</sup> / <sub>16</sub>

- Shaker & Traditional doors have a horizontal rail in the center of the bottom door.
- Assembled cabinets with Rollout Shelf kits are ONLY installed as indicated in the line drawing.
- Five boxes will be received when ordering this cabinet kit flat pack.
- Rollout Shelf glides are side mounted ball bearing with no soft close.



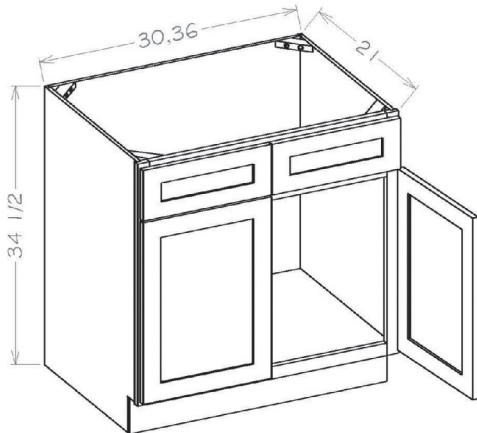


## Vanity Sink Bases - Double Door Single Drawer Front



Model	Description	Width	Height	Depth
VS24	Cabinet Dimension	24	34½	21
	Door Dimension	11¾	22½	¾
	Drawer Front	23½	6¼	¾
VS27	Cabinet Dimension	27	34½	21
	Door Dimension	13¾	22½	¾
	Drawer Front	26½	6¼	¾

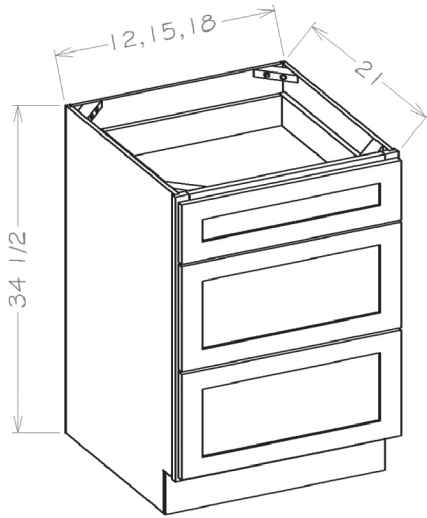
## Vanity Sink Bases - Double Door Double Drawer Front



Model	Description	Width	Height	Depth
VS30	Cabinet Dimension	30	34½	21
	Door Dimension	14¾	22½	¾
	Drawer Front	14¾	6¼	¾
VS36	Cabinet Dimension	36	34½	21
	Door Dimension	17¾	22½	¾
	Drawer Front	17¾	6¼	¾

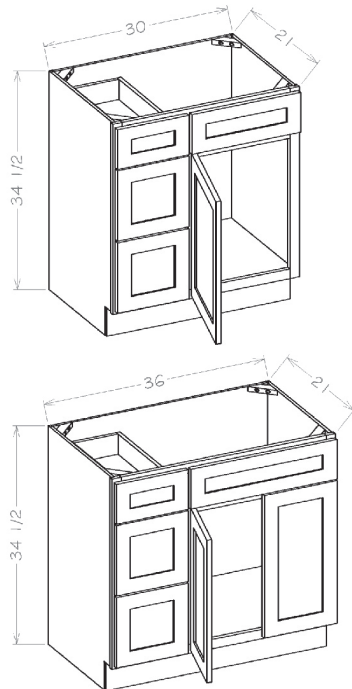
# PRODUCT SPECIFICATIONS

## Vanity Drawer Bases



Model	Description	Width	Height	Depth
3VDB12	Cabinet Dimension	12	34½	21
	Top Drawer Front	11½	6¼	¾
	Bottom Drawer Front	11½	11⅛	¾
	Top Drawer Box	8	3⅜	17⅜
	Bottom Drawer Box	8	8¼	17⅜
3VDB15	Cabinet Dimension	15	34½	21
	Top Drawer Front	14½	6¼	¾
	Bottom Drawer Front	14½	11⅛	¾
	Top Drawer Box	11	3⅜	17⅜
	Bottom Drawer Box	11	8¼	17⅜
3VDB18	Cabinet Dimension	18	34½	21
	Top Drawer Front	17½	6¼	¾
	Bottom Drawer Front	17½	11⅛	¾
	Top Drawer Box	14	3⅜	17⅜
	Bottom Drawer Box	14	8¼	17⅜

## Vanity Combo Bases - Drawers Left

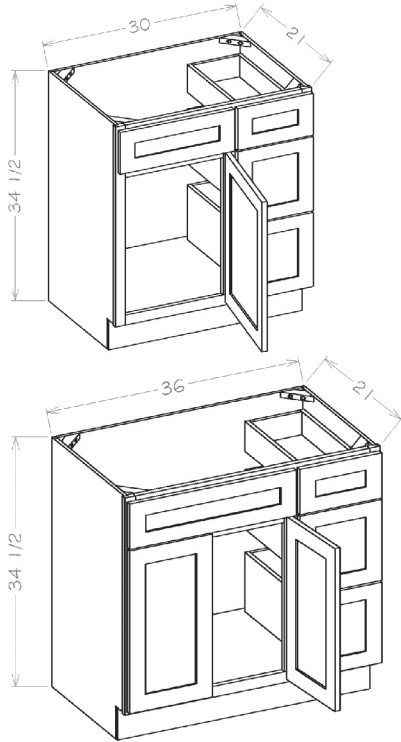


Model	Description	Width	Height	Depth
V3021DL	Cabinet Dimension	30	34½	21
	Top Drawer Front	11½	6¼	¾
	Bottom Drawer Front	11½	11⅛	¾
	Top Long Drawer Front	17½	6¼	¾
	Top Drawer Box	8	3⅜	18
	Bottom Drawer Box	8	8¼	18
	Door Dimension	17½	22½	¾
V3621DL	Cabinet Dimension	36	34½	21
	Top Drawer Front	11½	6¼	¾
	Bottom Drawer Front	11½	11⅛	¾
	Top Long Drawer Front	23½	6¼	¾
	Top Drawer Box	8	3⅜	18
	Bottom Drawer Box	8	8¼	18
	Door Dimension	11¾	22½	¾



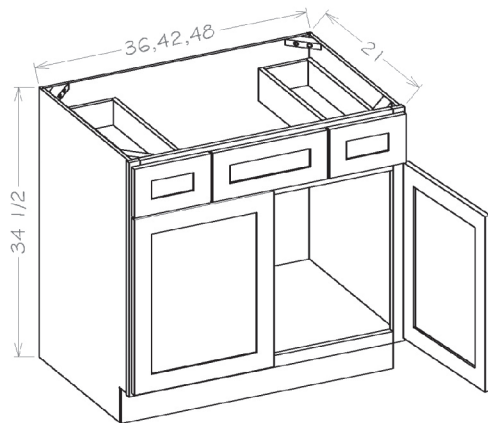
# PRODUCT SPECIFICATIONS

## Vanity Combo Bases - Drawers Right



Model	Description	Width	Height	Depth
V3021DR	Cabinet Dimension	30	34½	21
	Top Drawer Front	11½	6¼	¾
	Bottom Drawer Front	11½	11⅞	¾
	Top Long Drawer Front	17½	6¼	¾
	Top Drawer Box	8	3⅜	18
	Bottom Drawer Box	8	8¼	18
	Door Dimension	17½	22½	¾
V3621DR	Cabinet Dimension	36	34½	21
	Top Drawer Front	11½	6¼	¾
	Bottom Drawer Front	11½	11⅞	¾
	Top Long Drawer Front	23½	6¼	¾
	Top Drawer Box	8	3⅜	18
	Bottom Drawer Box	8	8¼	18
Door Dimension	11¾	22½	¾	

## Vanity Combo Bases

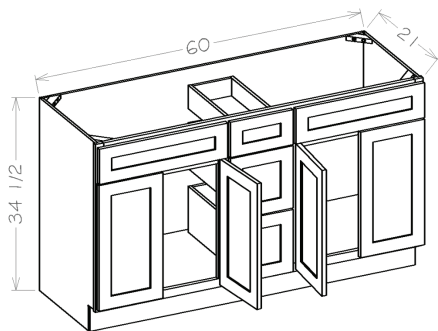
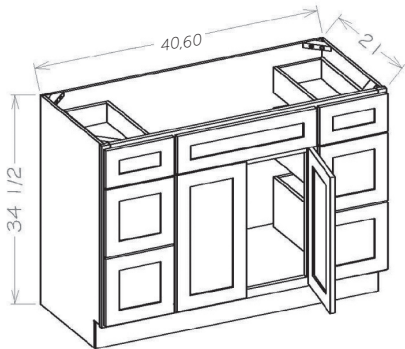
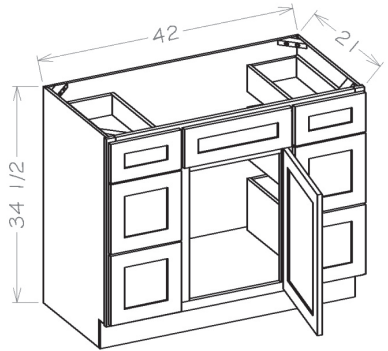


- The VSD42 & 48 have a center stile.

Model	Description	Width	Height	Depth
VSD36	Cabinet Dimension	36	34½	21
	Door Dimension	17¾	22½	¾
	Outside Drawer Front	10¼	6¼	¾
	Center Drawer Front	14½	6¼	¾
	Drawer Box	7⅜	3¼	17⅜
VSD42	Cabinet Dimension	42	34½	21
	Door Dimension	20¾	22½	¾
	Outside Drawer Front	11½	6¼	¾
	Center Drawer Front	18	6¼	¾
	Drawer Box	8⅞	3¼	17⅜
VSD48	Cabinet Dimension	48	34½	21
	Door Dimension	23¾	22½	¾
	Outside Drawer Front	14½	6¼	¾
	Center Drawer Front	18	6¼	¾
	Drawer Box	11⅜	3¼	17⅜

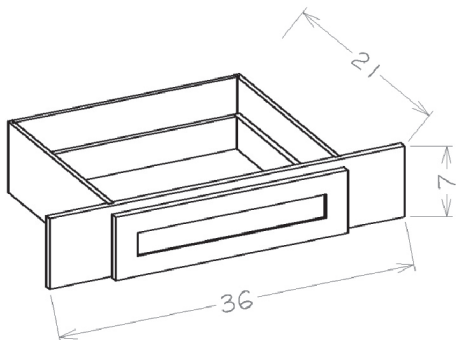
# PRODUCT SPECIFICATIONS

## Vanity Combo Bases - Double Drawer Stack



Model	Description	Width	Height	Depth
VDDDB42	Cabinet Dimension	42	34½	21
	Top Drawer Front	11½	6¼	¾
	Bottom Drawer Front	11½	11⅞	¾
	Top Long Drawer Front	17⅞	6¼	¾
	Top Drawer Box	8½	3⅞	18
	Bottom Drawer Box	8½	8¼	18
	Door Dimension	17⅞	22½	¾
VDDDB48	Cabinet Dimension	48	34½	21
	Top Drawer Front	11½	6¼	¾
	Bottom Drawer Front	11½	11⅞	¾
	Top Long Drawer Front	23⅞	6¼	¾
	Top Drawer Box	8½	3⅞	18
	Bottom Drawer Box	8½	8¼	18
	Door Dimension	11¾	22½	¾
VDDDB60	Cabinet Dimension	60	34½	21
	Top Drawer Front	11½	6¼	¾
	Bottom Drawer Front	11½	11⅞	¾
	Top Long Drawer Front	35⅞	6¼	¾
	Top Drawer Box	8½	3⅞	18
	Bottom Drawer Box	8½	8¼	18
	Door Dimension	17⅞	22½	¾
VSDB60	Cabinet Dimension	60	34½	21
	Top Drawer Front	11½	6¼	¾
	Bottom Drawer Front	11½	11⅞	¾
	Top Long Drawer Front	23⅞	6¼	¾
	Top Drawer Box	8½	3⅞	18
	Bottom Drawer Box	8½	8¼	18
	Door Dimension	11¾	22½	¾

## Special Vanity - Vanity Knee Drawer

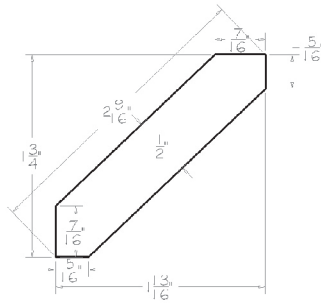


Model	Description	Width	Height	Depth
VKD36	Cabinet Dimension	36	7	21
	Drawer Front	23½	6¼	¾
	Drawer Box	19¾	3⅞	17⅞

- Trimmable to 27" wide



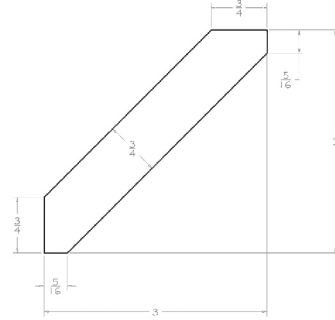
### Crown Moulding - 1 3/4"H Angled Crown Moulding



Model	Description	Width	Height	Depth
ACM8	Dimension	96	1 3/4	1 13/16

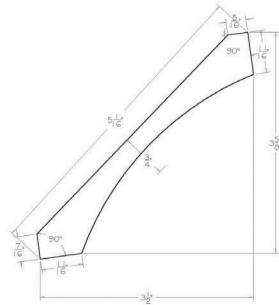
- Not available in Cameo Styles

### Crown Moulding - 3"H Angled Crown Moulding



Model	Description	Width	Height	Depth
LACM8	Dimension	96	3	3

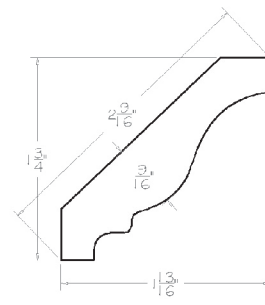
### Crown Moulding - Cove Moulding



Model	Description	Width	Height	Depth
COV	Dimension	96	3 5/8	3 1/2

- Not available in Cameo Styles

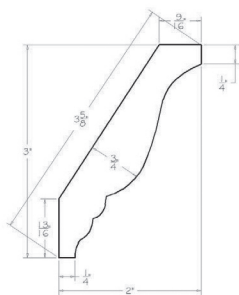
### Crown Moulding - Classic Crown Moulding



Model	Description	Width	Height	Depth
CM8	Dimension	96	1 3/4	1 13/16

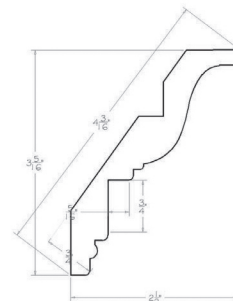
- Not available in Shaker or Traditional Styles

### Crown Moulding - Decorative Crown Moulding



Model	Description	Width	Height	Depth
DCM	Dimension	96	3	2

### Crown Moulding - Inset Crown Moulding

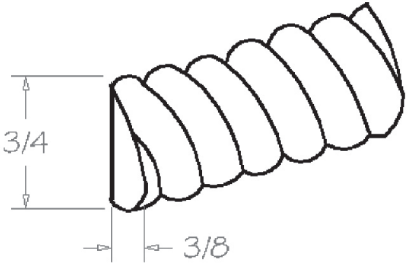


Model	Description	Width	Height	Depth
ICM	Dimension	96	3 5/16	2 1/2

- Not available in Shaker or Traditional Styles

# PRODUCT SPECIFICATIONS

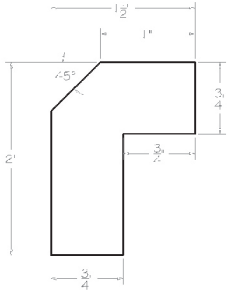
## Mouldings - Rope Moulding



Model	Description	Width	Height	Depth
ROPE	Dimension	96	3/4	3/8

- Not available in Shaker or Traditional Styles

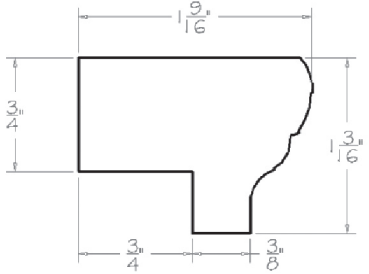
## Mouldings - Angled Light Rail Moulding



Model	Description	Width	Height	Depth
ALRM	Dimension	96	1 1/2	2

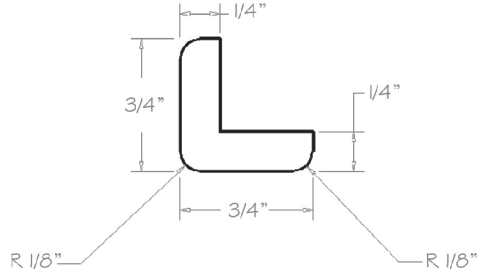
- Not available in Cameo Styles

## Mouldings - Light Rail Moulding



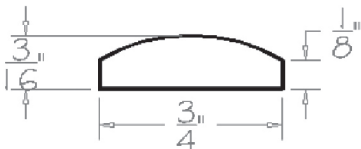
Model	Description	Width	Height	Depth
LRM	Dimension	96	1 3/16	1 9/16

## Mouldings - Outside Corner Moulding



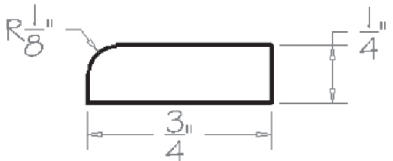
Model	Description	Width	Height	Depth
OCM	Dimension	96	3/4	3/4

## Mouldings - Batten Moulding



Model	Description	Width	Height	Depth
BAM	Dimension	96	3/8	3/16

## Mouldings - Scribe Moulding

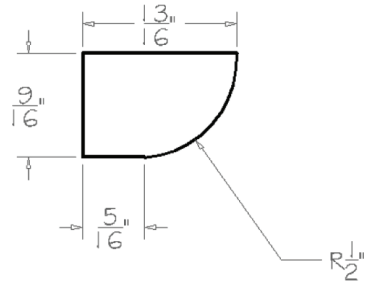


Model	Description	Width	Height	Depth
SCR	Dimension	96	3/4	1/4



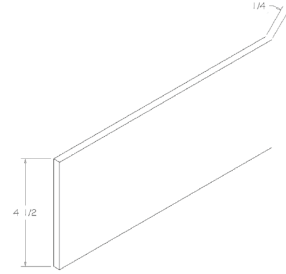


### Mouldings - Shoe Moulding



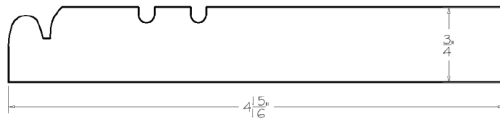
Model	Description	Width	Height	Depth
SHM	Dimension	96	3/4	1/2

### Mouldings - Toe Kick Cover



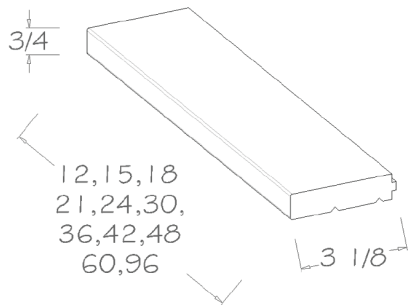
Model	Description	Width	Height	Depth
TKC	Dimension	96	4 1/2	1/4

### Mouldings - Furniture Base Moulding



Model	Description	Width	Height	Depth
FBM	Dimension	96	4 5/8	3/4

### Toe Kick Apron Support



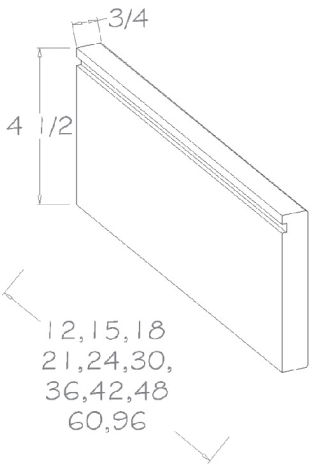
- Finished on all sides and edges
- Required for use with Toe Kick Apron Mouldings & Bun Feet

Model	Description	Width	Height	Depth
TAS12	Dimension	12	3/4	3 1/8
TAS15	Dimension	15	3/4	3 1/8
TAS18	Dimension	18	3/4	3 1/8
TAS21	Dimension	21	3/4	3 1/8
TAS24	Dimension	24	3/4	3 1/8
TAS30	Dimension	30	3/4	3 1/8
TAS36	Dimension	36	3/4	3 1/8
TAS42	Dimension	42	3/4	3 1/8
TAS48	Dimension	48	3/4	3 1/8
TAS60	Dimension	60	3/4	3 1/8
TAS96	Dimension	96	3/4	3 1/8



# PRODUCT SPECIFICATIONS

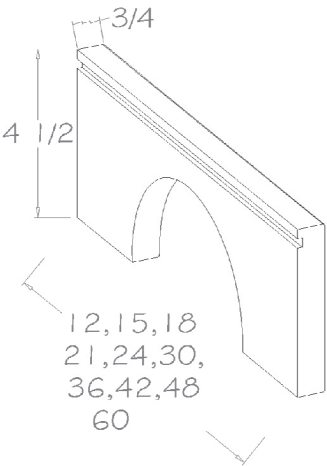
## Toe Kick Apron Moulding



Model	Description	Width	Height	Depth
TAM12	Dimension	12	4½	¾
TAM15	Dimension	15	4½	¾
TAM18	Dimension	18	4½	¾
TAM21	Dimension	21	4½	¾
TAM24	Dimension	24	4½	¾
TAM30	Dimension	30	4½	¾
TAM36	Dimension	36	4½	¾
TAM42	Dimension	42	4½	¾
TAM48	Dimension	48	4½	¾
TAM60	Dimension	60	4½	¾
TAM96	Dimension	96	4½	¾

- Finished on all sides and edges
- Must be used with Toe Kick Apron Support (TAS)

## Toe Kick Arched Apron Moulding



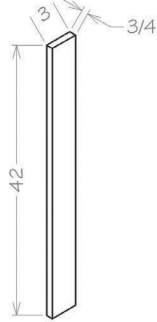
Model	Description	Width	Height	Depth
TAA12	Dimension	12	4½	¾
TAA15	Dimension	15	4½	¾
TAA18	Dimension	18	4½	¾
TAA21	Dimension	21	4½	¾
TAA24	Dimension	24	4½	¾
TAA30	Dimension	30	4½	¾
TAA36	Dimension	36	4½	¾
TAA42	Dimension	42	4½	¾
TAA48	Dimension	48	4½	¾
TAA60	Dimension	60	4½	¾

- Finished on all sides and edges
- Must be used with Toe Kick Apron Support (TAS)
- Trimmable up to 1½" on each side



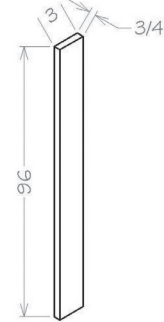


Fillers - 3" Wall/Base Filler



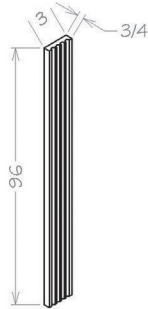
Model	Description	Width	Height	Depth
F342	Dimension	3	42	3/4

Fillers - 3" Tall Filler



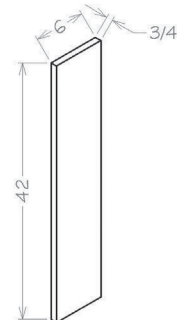
Model	Description	Width	Height	Depth
F396	Dimension	3	96	3/4

Fillers - 3" Fluted Filler



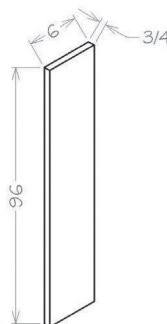
Model	Description	Width	Height	Depth
FF396	Dimension	3	96	3/4

Fillers - 6" Wall/Base Filler



Model	Description	Width	Height	Depth
F642	Dimension	6	42	3/4

Fillers - 6" Tall Filler



Model	Description	Width	Height	Depth
F696	Dimension	6	96	3/4

# PRODUCT SPECIFICATIONS

**Filler Overlays**

Model	Description	Width	Height	Depth
FOL630	Dimension	5 1/2	29	3/4
FOL634	Dimension	5 1/2	33 1/2	3/4
FOL636	Dimension	5 1/2	35	3/4
FOL642	Dimension	5 1/2	41	3/4

- Filler overlays have a matching door profile.
- 6" filler required for application (purchased separately)

**Panels - Base Skin Panel**

Model	Description	Width	Height	Depth
BSV	Dimension	23 1/4	34 1/2	1/4

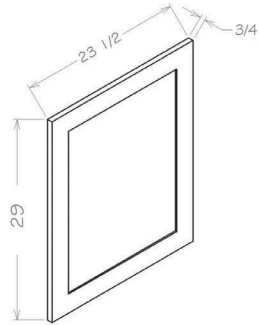
- Only finished on one side

**Panels - Dishwasher Return Panel**

Model	Description	Width	Height	Depth
DWR3	Dimension	3	34 1/2	24

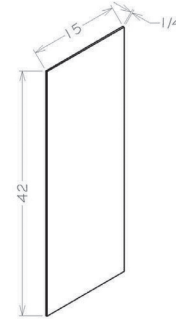


### Panels - Base Decorative End Panel



Model	Description	Width	Height	Depth
BDEP	Dimension	23 1/2	29	3/4

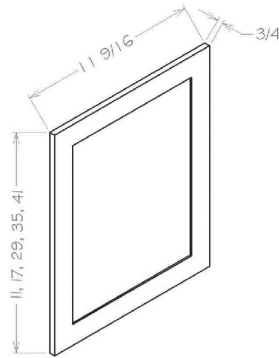
### Panels - Wall Skin Panel



Model	Description	Width	Height	Depth
WSV42	Dimension	15	42	1/4

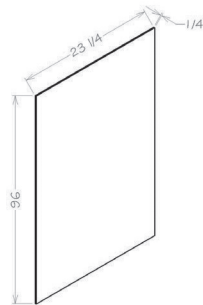
- Only finished on one side

### Panels - Wall Decorative End Panel



Model	Description	Width	Height	Depth
WDEP1212	Dimension	11 1/2	11	3/4
WDEP1218	Dimension	11 1/2	17	3/4
WDEP30	Dimension	11 1/2	29	3/4
WDEP36	Dimension	11 1/2	35	3/4
WDEP42	Dimension	11 1/2	41	3/4

### Panels - Utility Skin Panel



Model	Description	Width	Height	Depth
USV2496	Dimension	23 1/4	96	1/4

- Only finished on one side

### Panels - Long Skin Panel

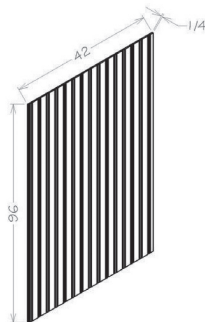


Model	Description	Width	Height	Depth
FPV4296	Dimension	42	96	1/4

- Grain runs long way
- Only finished on one side

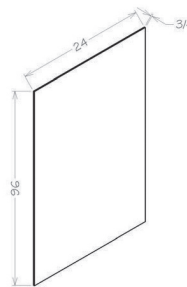
# PRODUCT SPECIFICATIONS

## Panels - Bead Board Panel



Model	Description	Width	Height	Depth
BBFPV4296	Dimension	42	96	1/4

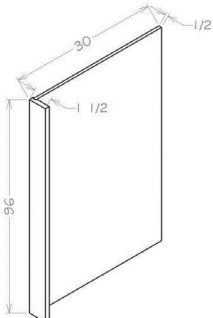
## Panels - Finished Shelf Board



Model	Description	Width	Height	Depth
S2496	Dimension	24	96	3/4

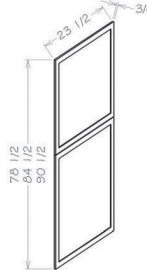
- One long edge banded to match
- Finished on both sides

## Panels - Refrigerator End Panel



Model	Description	Width	Height	Depth
REPV3096	Dimension	1 1/2	96	30

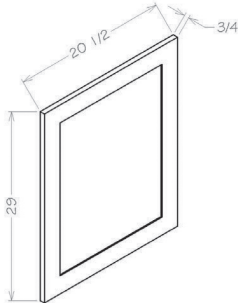
## Panels - Tall Decorative End Panel



Model	Description	Width	Height	Depth
TDEP2484	Dimension	23 1/2	78 1/2	30
TDEP2490	Dimension	23 1/2	84 1/2	30
TDEP2496	Dimension	23 1/2	90 1/2	30

- Shaker & Traditional panels have horizontal rail in the center of the bottom panel.

## Panels -Vanity Decorative End Panel

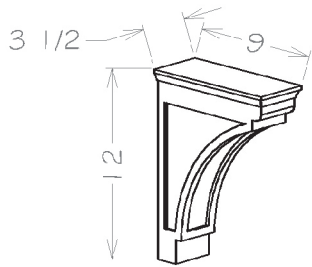


Model	Description	Width	Height	Depth
VDEP	Dimension	20 1/2	29	3/4



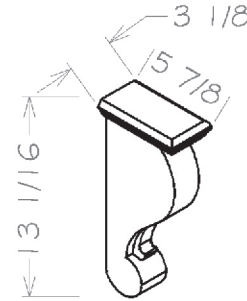


Corbels - Modern Corbel



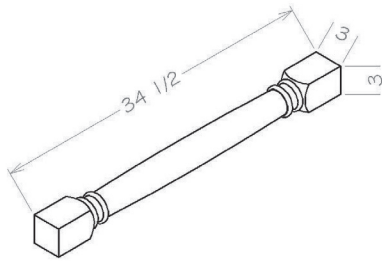
Model	Description	Width	Height	Depth
MCB	Dimension	3½	12	9

Corbels - Traditional Corbel



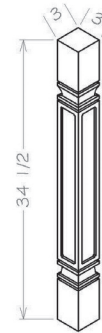
Model	Description	Width	Height	Depth
CBT	Dimension	3 <sup>1</sup> / <sub>8</sub>	13 <sup>1</sup> / <sub>16</sub>	5 <sup>7</sup> / <sub>8</sub>

Decorative Legs - Classic Decorative Leg



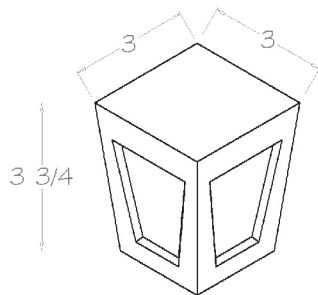
Model	Description	Width	Height	Depth
CLDL	Dimension	3	34½	3

Decorative Legs - Square Decorative Leg



Model	Description	Width	Height	Depth
SQDL	Dimension	3	34½	3

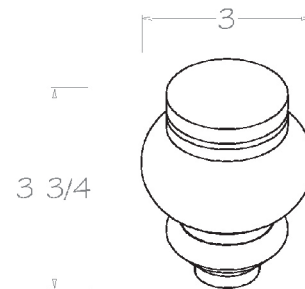
Bun Feet - Taper Foot



Model	Description	Width	Height	Depth
TF4	Dimension	3	3¾	3

- Must be used with Toe Kick Apron Support (TAS)

Bun Feet - Circle Foot

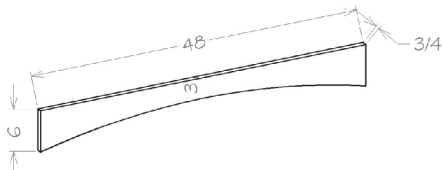


Model	Description	Width	Height	Depth
CF4	Dimension	3	3¾	3

- Must be used with Toe Kick Apron Support (TAS)

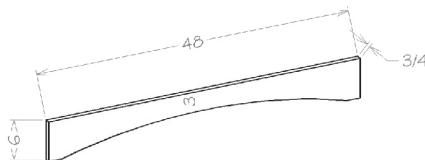
# PRODUCT SPECIFICATIONS

## Valances - Arched Valance



Model	Description	Width	Height	Depth
VA48	Dimension	48	6	3/4

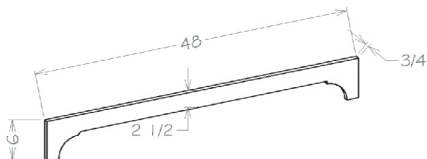
## Valances - Shaker Valance



Model	Description	Width	Height	Depth
VASH48	Dimension	48	6	3/4

- Trimmable on each side by 1 1/4"
- Finished on both sides and two long edges

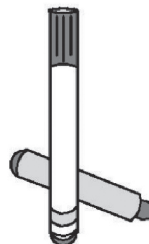
## Valances - Crown Valance



Model	Description	Width	Height	Depth
VACR48	Dimension	48	6	3/4

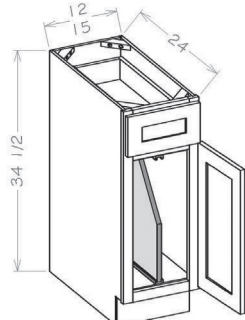
- Trimmable on each side by 1 1/4"
- Finished on both sides and two long edges

## Touch Up Kit - TUK





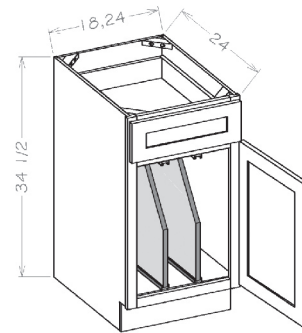
### Accessories - Base Tray Divider



Model	Description	Width	Height	Depth
B12DKIT	Dimension	¾	21	22½
B15DKIT	Dimension	¾	21	22½

- Comes with one divider

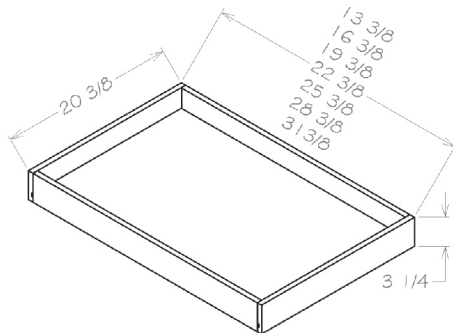
### Accessories - Base Tray Dividers



Model	Description	Width	Height	Depth
B18DKIT	Dimension	¾	21	22½

- Comes with two dividers

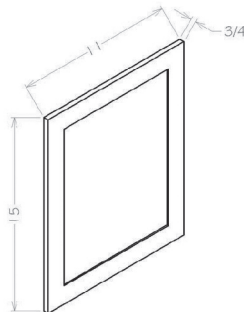
### Roll Out Shelves



Model	Description	Width	Height	Depth
RS18-Type A	Dimension	13¾	3¾	20¼
RS21-Type A	Dimension	16¾	3¾	20¼
RS24-Type A	Dimension	19½	3¾	20¼
RS27-Type A	Dimension	22½	3¾	20¼
RS30-Type A	Dimension	25¾	3¾	20¼
RS33-Type A	Dimension	28¾	3¾	20¼
RS36-Type A	Dimension	31¾	3¾	20¼

- Glides are side mounted ball bearing with no soft close.

### Sample Door - SD



Model	Description	Width	Height	Depth
SD	Dimension	11	15	¾







If you are a new account to us the following must be completed before any order can be placed, even if you choose pre-paid as the term for your account.

- **Account Registration**
- **Credit Application**
- **Personal Guarantee**

The necessary forms are located on the following pages.

## START-UP KIT

---

Once an account has been set-up, the following items are provided at no charge. Any additional items are available for purchase. (see sales aid form for details.)

1. (1) **Assembled B12** *(Based on availability)*
2. (1) **Molding ring-** includes all samples of stock moldings
3. (9) **Door samples**
4. (1) **Product Binder-**includes spec book, credit application, policies

\* Pro-Kitchen available by request from Pro-Kitchen.

20/20 catalog available upon request from Everything Building Products

Please see our **Display Program on the following pages** if you are planning a new showroom or remodeling your existing space.

For additional **Sales Aids and Brochures on the following pages.**



# CREDIT APPLICATION

---

Return completed application to:  
info@everythingbp.us

## COMMERCIAL OPEN ACCOUNT APPLICATION, CREDIT AGREEMENT, & CHARGE CARD AUTHORIZATION

Sales Representative \_\_\_\_\_

Company Name \_\_\_\_\_

### OBLIGORS CONTACT INFORMATION

Obligor Name: \_\_\_\_\_

*(Use exact legal name of all obligors on account)*

Billing Address: \_\_\_\_\_ Zip: \_\_\_\_\_

Shipping Address: \_\_\_\_\_ Zip: \_\_\_\_\_

City: \_\_\_\_\_ County: \_\_\_\_\_ State: \_\_\_\_\_

Phone: \_\_\_\_\_ Fax: \_\_\_\_\_

### OBLIGORS CREDIT INFORMATION

Number of years in business: \_\_\_\_\_ Type of business: \_\_\_\_\_

Obligor is:  Sole Proprietorship  Partnership  Corporation

LTD Partnership  Limited Liability Company (LLC)

State of Formation: \_\_\_\_\_

FEIN or Social Security Number: \_\_\_\_\_

Person to contact regarding payment: \_\_\_\_\_

Email address: \_\_\_\_\_

Name and title of Officers/Partners/Owners: \_\_\_\_\_

\_\_\_\_\_

\_\_\_\_\_

Primary office location: \_\_\_\_\_

Branch locations: \_\_\_\_\_

Affiliated/Subsidiaries/Divisions of other companies: \_\_\_\_\_





# CREDIT APPLICATION

Return completed application to:  
info@everythingbp.us

Credit References for Obligor: *(EBP will check all references)*

Obligors Bank Name: \_\_\_\_\_

Bank Telephone #: \_\_\_\_\_

Checking Account #: \_\_\_\_\_

Bank Officer to Contact: \_\_\_\_\_

Other Open Account/ Trade References: \_\_\_\_\_

Name: \_\_\_\_\_ phone: \_\_\_\_\_ Fax: \_\_\_\_\_

Address: \_\_\_\_\_

## AUTHORIZATION TO OBTAIN CREDIT INFORMATION

All Obligors and Guarantors do hereby authorize EBP to contact any resources concerning the extension of this credit to all Obligors and Guarantors, and for any future updates to this open account file. This authorization explicitly authorizes any financial institution to provide any financial or other relevant information to EBP regarding or related to the financial status of all Obligors and Guarantors.

Obligor: \_\_\_\_\_ Date: \_\_\_\_\_

By: \_\_\_\_\_

Its: \_\_\_\_\_



# CREDIT APPLICATION

Return completed application to:  
info@everythingbp.us

## REPRESENTATION OF BUSINESS DEBT

The Obligors and Guarantors, by signing the Repayment Agreement, hereby acknowledge and agree that this application is made in order to request trade credit for business purposes and that charges made to this open account arranged are for commercial and business purposes, and that neither this extension of credit nor any charges made on this account are for a personal family, household, or consumer purpose or use as defined under any state of federal statute or common law.

## GUARANTOR'S CONTACT AND CREDIT INFORMATION

Guarantor's Home Address: \_\_\_\_\_

Phone#: \_\_\_\_\_

Date of Birth: \_\_\_\_\_ Social Security #: \_\_\_\_\_

Guarantor's Home Address: \_\_\_\_\_

Phone#: \_\_\_\_\_

Date of Birth: \_\_\_\_\_ Social Security #: \_\_\_\_\_

## REPAYMENT AGREEMENT

In consideration of being permitted to purchase and materials from Everything Building Products (EBP) on open account, with charges on the terms of net 30. EBP may impose a late charge equal to one and one-half percent per month on any delinquent account. Obligors/Guarantors hereby agree to pay all reasonable costs of EBP in the collection of any unpaid credit balance, including reasonable attorney's fees, without regard to whether litigation is commenced to collect same. EBP may suspend, without notice or demand, the open account privileges of any account which is past due in default. Forbearance in suspension of open account privileges for previous defaults shall not impair EBP right to suspend open account privileges. Any previous forbearance in suspension of credit privileges or in the enforcement of any right or remedy shall not establish a course of dealing between the parties and shall not constitute a waiver or estoppels of EBP to exercise any and all remedies to enforce this Agreement or to recover the sums owed to EBP on account of this open account or any guaranty of this open account.

Date: \_\_\_\_\_ Obligor: \_\_\_\_\_

By: \_\_\_\_\_

Its: \_\_\_\_\_

Guarantors: \_\_\_\_\_

Guarantors: \_\_\_\_\_





# CREDIT APPLICATION

Return completed application to:  
accounting@everythingbp.us

## AUTHORIZATION TO CHARGE CREDIT CARD

I, \_\_\_\_\_, owner of the below listed credit card authorize Everything Building Products (EBP) to charge my credit card for the full amount due on this open account, including all late charges. I understand that EBP will not charge my card so long as the open account is current. In the event the open account is past due, EBP, at its sole option and without any prior notice or demand for payment to the obligor or to me (if different than obligor) and despite any forbearance or charges, in whole or in part, for the past due sum. I hereby acknowledge and agree that even if the credit card information supplied herein is my personal credit card, the purpose of my giving the credit card is to secure business debt and unpaid charges that were business purpose charges. I promise not to cancel or revoke the credit card without supplying EBP with authorization to charge an equivalent credit card together with all pertinent information. I will provide EBP with new information if the credit card is lost, stolen, cancelled, or renewed.

**CARD OWNER'S NAME:** \_\_\_\_\_

**BILLING ADDRESS:** \_\_\_\_\_

**TYPE OF CREDIT CARD:** \_\_\_\_\_

**CREDIT CARD NUMBER:** \_\_\_\_\_

**EXPIRATION DATE:** \_\_\_\_\_ **CVV:** \_\_\_\_\_

*(last 3 digits on the back of card; for American Express, 4 digit code on front of card)*

## TO REQUEST SPECIFIC REASONS FOR CREDIT DENIAL GIVEN AT THE TIME OF APPLICATION (BUSINESS CREDIT):

If your application for business credit is denied, you have the right to a written statement of the specific reasons for denial. To obtain the statement, please contact our accounting department within 60 days from the date you are notified or our decision. We will send you a written statement of reasons for the denial within 30 days of receiving your request for the statement.

**NOTICE:** The Federal Equal Credit Opportunity Act prohibits creditors from discriminating against credit applicants on the basis of race, color, religion, national origin, sex, marital status, age (provided the applicant has the capacity to enter into a binding contract): because all or part of the applicant's income derives from any public assistance program; or because the applicant has in good faith exercised any right under the Consumer Credit Protection Act. The federal agency that administers compliance with this law concerning this credit is the Federal Trade Commission, Division of Credit Practices, 6th and Pennsylvania Ave, NW, Washington, DC 20580.

# ACCOUNT REGISTRATION FORM

---

COMPANY NAME

## LOCATION ADDRESS:

Address: \_\_\_\_\_

City: \_\_\_\_\_ State/ Zip: \_\_\_\_\_

Phone: \_\_\_\_\_ Fax: \_\_\_\_\_

## SHIPPING ADDRESS, IF DIFFERENT THAN ABOVE:

Address: \_\_\_\_\_

City: \_\_\_\_\_ State/ Zip: \_\_\_\_\_

Phone: \_\_\_\_\_ Fax: \_\_\_\_\_

## CONTACT INFORMATION:

Contact Person: \_\_\_\_\_

Cell Phone: \_\_\_\_\_

E-mail Address\*: \_\_\_\_\_

(\*This e-mail address will be responsible for forwarding all product and marketing updates throughout their company.)

**EBP REP:** \_\_\_\_\_

## ACCOUNTS PAYABLE CONTACT:

Name: \_\_\_\_\_

Phone: \_\_\_\_\_ Fax: \_\_\_\_\_

E-Mail: \_\_\_\_\_

## EMAIL FOR SHIPPING CONFIRMATIONS TO BE SENT:

E-mail Address\*: \_\_\_\_\_

**EBP REP:** \_\_\_\_\_





# DISPLAY PROGRAM

---

Thank you again for choosing Everything Building Products and in order to help you support your business we offer an additional 50% off of our products for showroom displays. To receive the credit, mark your order with "Display Program" and fax the display layout when sending in the order. Credit will be issued to your account when photos of the installed display are sent to our customer it will be issued to your account when photos of the installed display are sent to our customer service department.

- This program does not include vanities or sales aids
- Standard freight charges apply
- Standard lead time applies
- Assembly is not discounted

**HAPPY SELLING!**



# ORDER PROCESS

---

## PLEASE USE THE FOLLOWING ORDER FORMS:

- The Order Form Provided
- You may attach the ProKitchen or 20/20 list along with the order form on page 72  
This will insure all the necessary information is available in order to process your order in a timely manner.

## HOW THE PROCESS WORKS:

- Once an order is received, our customer service department will send you an order confirmation via email within 24 hours or less.
- Please review your confirmation, sign it and e-mail it back to our customer service department. **Your order will NOT be processed until it is confirmed and received by our customer service department.**
- Once we have received final approval of your order it will be shipped within 3 – 4 business days for knocked down orders and 7 – 10 business days for assembled orders
- When your order leaves the warehouse you will receive a shipping confirmation

## NOTES:

- Orders are shipped palletized. Be sure to have the proper equipment and staffing for receiving
- Our shipping program is outlined in the following pages

If you have any questions or need help placing an order, please contact our Customer Service.





# ORDER FORM

Page 1 of: \_\_\_\_\_ \*Customer P.O.#: \_\_\_\_\_ Date: \_\_\_\_\_

Door Style/Finish: \_\_\_\_\_

\*Sold To: \_\_\_\_\_ Ship To: \_\_\_\_\_

\_\_\_\_\_

\_\_\_\_\_

\_\_\_\_\_

\_\_\_\_\_

- \*Order will be:
- Commercial Delivery w/Dock
  - Residential Delivery  
*(Additional \$200 delivery fee applies)*
  - Lift gate required

- \*Order will be Assembled:
- Yes
  - No

*Finish	Item/SKU	Quantity*	Hinged R/L	Notes
_____	_____	_____	_____	_____
_____	_____	_____	_____	_____
_____	_____	_____	_____	_____
_____	_____	_____	_____	_____
_____	_____	_____	_____	_____
_____	_____	_____	_____	_____
_____	_____	_____	_____	_____
_____	_____	_____	_____	_____
_____	_____	_____	_____	_____
_____	_____	_____	_____	_____
_____	_____	_____	_____	_____
_____	_____	_____	_____	_____
_____	_____	_____	_____	_____
_____	_____	_____	_____	_____
_____	_____	_____	_____	_____
_____	_____	_____	_____	_____
_____	_____	_____	_____	_____
_____	_____	_____	_____	_____
_____	_____	_____	_____	_____
_____	_____	_____	_____	_____
_____	_____	_____	_____	_____

*2020 or ProKitchen items list  
or quote may be attached*

\*Missing information may delay your order

# ORDER FORM

---

Page \_\_\_\_\_ of : \_\_\_\_\_

*Finish	Item/SKU	Quantity*	Hinged R/L	Notes





- Our Program is based on the weight and # of pallets of your order
- These rates are for business-to-business, dock to commercial dock delivery  
These prices are tailored to your shipping address only
- Applicable fuel surcharges, lift gate services, arrival notices and limited access delivery fees may apply
- Delivery time frame and progress tracking will be available to you through the carrier's web site via a tracking number that will be e-mailed or faxed to you when your order leaves our building
- We have selected the carrier based on the most economical rates. If you wish to choose another carrier, please call customer service
- Any delivery outside the parameters noted above will incur additional charges  
These assessorial charges, such as lift gate and home delivery, can be found on the carriers web site, or call Customer Service
- Small items may be shipped via small package carrier. A damaged disclaimer may need to be signed
- Additional freight fees may apply to shipments beyond our carriers 2 day coverage.  
Contact customer service to see if this will apply to your location
- **You must report any concealed damage with-in 48 hours of receiving the shipment. Please call Customer Service to make any reports**
- **Please inspect shipment upon arrival for visable damage  
All visible damage must be noted on the delivery receipt for a "no-charge" replacement**

## SMALL PACKAGE SHIPMENTS / WARRANTY

- If your order requires small package service, clearly state this on your PO
- All customers requesting urgent small package shipments for overnight or next day are subject to a \$100 handling/packaging fee + freight. Typically orders submitted and confirmed by 1pm will leave the same day. Otherwise within 24 hours
- Order cut-off for signed small package confirmations is 12pm on any business day to start your processing lead time
- Single knock down cabinets may ship small package. Built cabinets cannot ship small package. (weight limit is 50 lbs)
- All small package limitations with size and weight apply to any shipments
- Standard warranty small package shipments leave our facility typically within 2-3 business days at no charge

# RETURN POLICY

---

- All items sold must be signed off by the purchaser. In signing this you as the purchaser take responsibility for payment of the product.
- In the event that you are allowed to return product for credit, our restocking fees are as follows:
  - **KDCabinets/Accessories/Trims/Hardware** - 25% restocking fee
  - **Assembled cabinets** - 40% restocking fee
- Freight charges will be assumed by the party returning product. The original invoice must be paid in full before a credit will be issued. In the event that your credit remains on your account for more than 90 days, you will be issued a check unless you advise otherwise
- Any item that may be considered for return must be in the original box and unassembled, if received unassembled
- Your credit will not be issued until the product is received and inspected by EBP
- No partial credits will be issued
- No goods are to be returned without written authorization from EBP
- No credit will be issued if the product has been altered in any way (i.e. installed and then removed)



## 1 YEAR LIMITED WARRANTY

- All of our cabinets are warranted to the original purchaser for one year after the purchase date. We guarantee the original purchaser that all parts and components are free from defects in material and workmanship under normal use. (Defects are defined as any imperfection that may prohibit the proper use of the cabinets.) This warranty applies to the original cabinet purchaser only and is Non-transferable
- As with all natural materials, wood is affected by the environment factors such as natural and artificial lighting. Darkening or mellowing can be expected and is a natural process for wood as it ages. Each wood species also exhibits its own distinctive patterns and characteristics which add to its natural beauty. These variations in color and characteristics are not considered imperfections or defects. This warranty does not cover the natural aging and darkening of the wood color nor does it apply to the inherent growth characteristics of wood. Painted finish joint breaks on door and drawer face stile and rail joinery are normal and not considered a manufacturing defect due to the natural expansion and contraction of wood. A touch up kit can be ordered to reduce the appearance of this situation. Doors that are warped 1/4" or less must be allowed to hang in a climate controlled environment through two (2) seasons (i.e. spring, Summer) before replacement will be made. Typically, the door will retain its normal flat position after conditioning to its environment. Prior to requesting a replacement, please be sure that the problem is not an installation deficiency.
- This warranty applies only to normal indoor consumer use. Product used for commercial or outdoor use is excluded. Not covered under this warranty are cabinets showing normal wear and tear: cabinets that were not stored or installed properly, improperly assembled or disassembled, intentionally damaged, misused, or exposed to the elements: cabinets that have defects due to excessive moisture, accidents or negligence: and cabinets that have been changed or modified in anyway.
- This warranty is expressly limited to the repair or replacement of the defective component parts at our discretion. Our liability is expressly limited to the cost of material for the repair or replacement of defective goods. We may elect to repair or replace the product with a product of equal or lesser value and complementary style if the original style is no longer available. Due to the aging process of natural wood, EBP cannot guarantee an exact match between the finish of the existing product and the replacement product.
- In no event is EBP liable for incidental, indirect, or consequential damages resulting from the use of our cabinets. This warranty does not cover the cost of assembly, installation, removal, subsequent damage or transportation of the defected product or replacement.
- Some States do not allow limitations on how long an implied warranty may last or the exclusion and/ or limitations of incidental and/or consequential damages. Therefore the above limitations may not apply. This warranty slows specific rights that may vary from state to state. Any claims made under this warranty must be presented in writing with a dated sales invoice and accompanied by photographs of defective material.

# WARRANTY/DAMAGE PROGRAM

---

Noting damage on the driver's delivery receipt is a "must do" by our customers for EBP to complete a proper freight claim with the carrier. Please note that this action does not initiate a claim for replacement product with EBP. Customer service must be contacted directly by your office in the event that you have damaged or warranty items, we use this program to solve any issues as quickly and efficiently to better serve you. It also helps us to note any problems so we can address any issues that become repetitive.

## TO PROCESS A DAMAGED CABINET/PART:

1. Take picture of the damaged part and packaging condition (note builder number & QC number) immediately and e-mail it to our customer service department: [info@everythingbp.us](mailto:info@everythingbp.us) This information is crucial for reimbursement, processing and the development of our future preventative measures
2. Do not use, destroy or disregard the damaged item as it is property of the freight carrier. It is required that the item be available for the shipping company to retrieve. They will contact you to arrange pick-up
3. If we are not supplied with the photos or the item is not made readily available for pick-up, you will be charged for the replacement
4. No cabinet/parts will be replaced after 14 days of shipment

## TO PROCESS A WARRANTY CABINET/PART:

1. Please review our warranty
2. Take picture of the damaged part and packaging condition immediately and e-mail it our customer service department: [info@everythingbp.us](mailto:info@everythingbp.us)  
This information is crucial for determining Warranty qualification and the development of our future preventative measures

**NOTES:** On all "RTA/KD" cabinets, we will not replace the cabinet/part if the cabinet has been assembled.

**If you need out of warranty replacements, these can be purchased.  
Contact Customer Service for details.**





# WARRANTY/DAMAGE REPLACEMENT PROGRAM

Email: [info@everythingbp.us](mailto:info@everythingbp.us)

Company Name: \_\_\_\_\_ Date: \_\_\_\_\_

Dealer Contact: \_\_\_\_\_

Dealer Phone: \_\_\_\_\_ Email: \_\_\_\_\_

Order #/PO: \_\_\_\_\_ Delivery Date: \_\_\_\_\_

Freight Carrier: \_\_\_\_\_

	Frt. Damage Noted at Delivery	Concealed Damage	Manufacturing Defect	Assembly Defect Cabinet QC#	Order Content Issue	Item Code/SKU	Description
1							
2							
3							
4							
5							
6							
7							
8							
9							
10							
11							
12							
13							
14							
15							

**Important Notes:** Please complete this form to the fullest extent possible. Supplying us with the cabinet QC# is vital to our in-house on-going quality control measures. Please supply photos and this form to the customer service representative you are working with preferably by email so we can view your issues clearly. Please do not assemble, use, destroy, or disregard the items noted on this form. It is required that the damage item(s) be available for the shipping company to review and retrieve if necessary. If the freight carrier is unable to reclaim the item(s) you will be charged for the replacement item.



## E.B.P. Price List 2021

		SW	SA	SC	SG	SD	TD	TW	CS	CW
SKU	Description	Shaker White	Shaker Antique	Shaker Charcoal	Shaker Greystone	Shaker Dove	Traditional Dove	Traditional White	Cameo Scotch	Cameo White
3DB12	Drawer Base Cabinet	658.00	676.00	676.00	676.00	676.00	696.00	696.00	696.00	696.00
3DB15	Drawer Base Cabinet	701.00	721.00	721.00	721.00	721.00	742.00	742.00	742.00	742.00
3DB18	Drawer Base Cabinet	743.00	764.00	764.00	764.00	764.00	787.00	787.00	787.00	787.00
3DB21	Drawer Base Cabinet	785.00	808.00	808.00	808.00	808.00	831.00	831.00	831.00	831.00
3DB24	Drawer Base Cabinet	832.00	856.00	856.00	856.00	856.00	881.00	881.00	881.00	881.00
3DB30	Drawer Base Cabinet	921.00	947.00	947.00	947.00	947.00	975.00	975.00	975.00	975.00
3DB36	Drawer Base Cabinet	1,027.00	1,056.00	1,056.00	1,056.00	1,056.00	1,087.00	1,087.00	1,087.00	1,087.00
3VDB12	Vanity Drawer Base	624.00	641.00	641.00	641.00	641.00	660.00	660.00	660.00	660.00
3VDB15	Vanity Drawer Base	665.00	684.00	684.00	684.00	684.00	703.00	703.00	703.00	703.00
3VDB18	Vanity Drawer Base	707.00	727.00	727.00	727.00	727.00	748.00	748.00	748.00	748.00
ACM8	Angle Crown Moulding	100.00	103.00	103.00	103.00	103.00	106.00	106.00	106.00	106.00
ALRM	Angle Light Rail Moulding Mounts to bottom of wall cabinets.	157.00	162.00	162.00	162.00	162.00	167.00	167.00	167.00	167.00
AW1230	Angle Wall Cabinet	233.00	239.00	239.00	239.00	239.00	246.00	246.00	246.00	246.00
AW1236	Angle Wall Cabinet	259.00	266.00	266.00	266.00	266.00	274.00	274.00	274.00	274.00
AW1242	Angle Wall Cabinet	299.00	307.00	307.00	307.00	307.00	316.00	316.00	316.00	316.00
B12	Base Cabinet	435.00	448.00	448.00	448.00	448.00	461.00	461.00	461.00	461.00
B15	Base Cabinet	477.00	491.00	491.00	491.00	491.00	505.00	505.00	505.00	505.00
B15 Face Front	Base Cabinet	151.00	155.00	155.00	155.00	155.00	160.00	160.00	160.00	160.00
B18	Base Cabinet	510.00	525.00	525.00	525.00	525.00	540.00	540.00	540.00	540.00
B21	Base Cabinet	544.00	559.00	559.00	559.00	559.00	575.00	575.00	575.00	575.00
B24	Base Cabinet	613.00	630.00	630.00	630.00	630.00	649.00	649.00	649.00	649.00
B27	Base Cabinet	648.00	666.00	666.00	666.00	666.00	685.00	685.00	685.00	685.00
B30	Base Cabinet	750.00	771.00	771.00	771.00	771.00	794.00	794.00	794.00	794.00
B33	Base Cabinet	783.00	805.00	805.00	805.00	805.00	828.00	828.00	828.00	828.00
B36	Base Cabinet	815.00	838.00	838.00	838.00	838.00	863.00	863.00	863.00	863.00
B42	Base Cabinet	890.00	916.00	916.00	916.00	916.00	942.00	942.00	942.00	942.00
BAM	Batten Moulding	29.00	30.00	30.00	30.00	30.00	30.00	30.00	30.00	30.00
BBC36	Blind Base Corner Cabinet	590.00	607.00	607.00	607.00	607.00	624.00	624.00	624.00	624.00
BBC42	Blind Base Corner Cabinet	701.00	720.00	720.00	720.00	720.00	741.00	741.00	741.00	741.00
BBF-PV4296	Finished Bead Board Plywood Panel	363.00	373.00	373.00	373.00	373.00	384.00	384.00	384.00	384.00
BDEP	Base Decorative Door Panel	102.00	105.00	105.00	105.00	105.00	108.00	108.00	108.00	108.00
BEC24	Angle Base Cabinet	549.00	564.00	564.00	564.00	564.00	581.00	581.00	581.00	581.00

## E.B.P. Price List 2021

		SW	SA	SC	SG	SD	TD	TW	CS	CW
SKU	Description	Shaker White	Shaker Antique	Shaker Charcoal	Shaker Greystone	Shaker Dove	Traditional Dove	Traditional White	Cameo Scotch	Cameo White
BER33	Base Easy Reach Cabinet	642.00	660.00	660.00	660.00	660.00	679.00	679.00	679.00	679.00
BER36	Base Easy Reach Cabinet	707.00	727.00	727.00	727.00	727.00	748.00	748.00	748.00	748.00
BMW30	Base Cabinet	599.00	616.00	616.00	616.00	616.00	634.00	634.00	634.00	634.00
BSDC6	Base Spice Drawer	397.00	408.00	408.00	408.00	408.00	420.00	420.00	420.00	420.00
BSV	Base Skin Panel	47.00	49.00	49.00	49.00	49.00	50.00	50.00	50.00	50.00
BT9	Base Cabinet	280.00	288.00	288.00	288.00	288.00	297.00	297.00	297.00	297.00
CB9	Corbel	152.00	156.00	156.00	156.00	156.00	161.00	161.00	161.00	161.00
CBT	Corbel	144.00	148.00	148.00	148.00	148.00	153.00	153.00	153.00	153.00
CLDL	Classic Decorative Leg	189.00	194.00	194.00	194.00	194.00	200.00	200.00	200.00	200.00
CM8	Crown Moulding	103.00	106.00	106.00	106.00	106.00	109.00	109.00	109.00	109.00
COV	Cove Crown Moulding	206.00	212.00	212.00	212.00	212.00	218.00	218.00	218.00	218.00
DCM	Decorative Crown Moulding	159.00	164.00	164.00	164.00	164.00	168.00	168.00	168.00	168.00
DCSF42	Corner Sink Base Front	264.00	271.00	271.00	271.00	271.00	279.00	279.00	279.00	279.00
DCW2430	Wall Diagonal Corner Cabinet	488.00	501.00	501.00	501.00	501.00	516.00	516.00	516.00	516.00
DCW-2430GD	Wall Diagonal Glass Door Corner Cabinet with Finished Interior	470.00	483.00	483.00	483.00	483.00	497.00	497.00	497.00	497.00
DCW2436	Wall Diagonal Corner Cabinet	533.00	548.00	548.00	548.00	548.00	564.00	564.00	564.00	564.00
DCW-2436GD	Wall Diagonal Glass Door Corner Cabinet with Finished Interior	510.00	525.00	525.00	525.00	525.00	540.00	540.00	540.00	540.00
DCW2442	Wall Diagonal Corner Cabinet	633.00	651.00	651.00	651.00	651.00	670.00	670.00	670.00	670.00
DCW-2442GD	Wall Diagonal Glass Door Corner Cabinet with Finished Interior	605.00	622.00	622.00	622.00	622.00	641.00	641.00	641.00	641.00
DCW2736	Wall Diagonal Corner Cabinet	606.00	623.00	623.00	623.00	623.00	641.00	641.00	641.00	641.00
DCW-2736GD	Wall Diagonal Glass Door Corner Cabinet with Finished Interior	582.00	598.00	598.00	598.00	598.00	615.00	615.00	615.00	615.00
DCW2742	Wall Diagonal Corner Cabinet	724.00	744.00	744.00	744.00	744.00	766.00	766.00	766.00	766.00
DCW-2742GD	Wall Diagonal Glass Door Corner Cabinet with Finished Interior	642.00	660.00	660.00	660.00	660.00	679.00	679.00	679.00	679.00
DFB18	Two Drawer File Base Cabinet	573.00	589.00	589.00	589.00	589.00	606.00	606.00	606.00	606.00
DWR3	Dishwasher Return Panel	120.00	123.00	123.00	123.00	123.00	126.00	126.00	126.00	126.00
F342	Wall Filler	48.00	50.00	50.00	50.00	50.00	51.00	51.00	51.00	51.00
F396	Tall Filler	122.00	126.00	126.00	126.00	126.00	130.00	130.00	130.00	130.00
F642	Wall Filler	88.00	90.00	90.00	90.00	90.00	93.00	93.00	93.00	93.00
F696	Tall Filler	221.00	227.00	227.00	227.00	227.00	234.00	234.00	234.00	234.00

## E.B.P. Price List 2021

		SW	SA	SC	SG	SD	TD	TW	CS	CW
SKU	Description	Shaker White	Shaker Antique	Shaker Charcoal	Shaker Greystone	Shaker Dove	Traditional Dove	Traditional White	Cameo Scotch	Cameo White
FBM	Furniture Base Moulding	198.00	203.00	203.00	203.00	203.00	209.00	209.00	209.00	209.00
FF396	Fluted Tall Filler	125.00	129.00	129.00	129.00	129.00	132.00	132.00	132.00	132.00
FLDL	Fluted Decorative Leg	189.00	194.00	194.00	194.00	194.00	200.00	200.00	200.00	200.00
FPV4296	Finished Plywood Panel	153.00	157.00	157.00	157.00	157.00	162.00	162.00	162.00	162.00
FSB36	Sink Base	517.00	531.00	531.00	531.00	531.00	547.00	547.00	547.00	547.00
LRM	Light Rail Moulding	113.00	116.00	116.00	116.00	116.00	120.00	120.00	120.00	120.00
MO3030	Wall Microwave Cabinet	372.00	382.00	382.00	382.00	382.00	393.00	393.00	393.00	393.00
MO3036	Wall Microwave Cabinet	417.00	429.00	429.00	429.00	429.00	442.00	442.00	442.00	442.00
MO3042	Wall Microwave Cabinet	466.00	479.00	479.00	479.00	479.00	493.00	493.00	493.00	493.00
O338424	Universal Oven Cabinet	1,658.00	1,704.00	1,704.00	1,704.00	1,704.00	1,754.00	1,754.00	1,754.00	1,754.00
O339024	Universal Oven Cabinet	1,773.00	1,823.00	1,823.00	1,823.00	1,823.00	1,876.00	1,876.00	1,876.00	1,876.00
O339624	Universal Oven Cabinet	1,832.00	1,884.00	1,884.00	1,884.00	1,884.00	1,938.00	1,938.00	1,938.00	1,938.00
OCM	Outside Corner Moulding	45.00	46.00	46.00	46.00	46.00	48.00	48.00	48.00	48.00
OE630	Wall End Shelf	93.00	96.00	96.00	96.00	96.00	99.00	99.00	99.00	99.00
OE636	Wall End Shelf	105.00	108.00	108.00	108.00	108.00	111.00	111.00	111.00	111.00
OE642	Wall End Shelf	113.00	116.00	116.00	116.00	116.00	120.00	120.00	120.00	120.00
PR3015	Wall Plate Rack Cabinet	280.00	288.00	288.00	288.00	288.00	297.00	297.00	297.00	297.00
REPV2496	Refrigerator End Panel	250.00	257.00	257.00	257.00	257.00	265.00	265.00	265.00	265.00
RS18-TYPEA	Pull Out Tray - Fits B18	95.00	97.00	97.00	97.00	97.00	100.00	100.00	100.00	100.00
RS21-TYPEA	Pull Out Tray - Fits B21	101.00	104.00	104.00	104.00	104.00	107.00	107.00	107.00	107.00
RS24-TYPEA	Pull Out Tray - Fits B24	107.00	110.00	110.00	110.00	110.00	114.00	114.00	114.00	114.00
RS27-TYPEA	Pull Out Tray - Fits B27	112.00	116.00	116.00	116.00	116.00	119.00	119.00	119.00	119.00
RS30-TYPEA	Pull Out Tray - Fits B30	118.00	121.00	121.00	121.00	121.00	125.00	125.00	125.00	125.00
RS33-TYPEA	Pull Out Tray - Fits B33	124.00	127.00	127.00	127.00	127.00	131.00	131.00	131.00	131.00
RS36-TYPEA	Pull Out Tray - Fits B36	135.00	139.00	139.00	139.00	139.00	143.00	143.00	143.00	143.00
S2496	Shelf Board	345.00	355.00	355.00	355.00	355.00	365.00	365.00	365.00	365.00
Sample-door-1	Sample Door	45.00	46.00	46.00	46.00	46.00	47.00	47.00	47.00	47.00
SB30	Sink Base	524.00	539.00	539.00	539.00	539.00	554.00	554.00	554.00	554.00
SB33	Sink Base	549.00	564.00	564.00	564.00	564.00	581.00	581.00	581.00	581.00
SB36	Sink Base	575.00	592.00	592.00	592.00	592.00	609.00	609.00	609.00	609.00
SBF4242	Corner Sink Front Floor	126.00	130.00	130.00	130.00	130.00	134.00	134.00	134.00	134.00
SCR	Scribe Moulding	28.00	29.00	29.00	29.00	29.00	30.00	30.00	30.00	30.00
SGH30	Stem Wine Glass Holder	139.00	143.00	143.00	143.00	143.00	147.00	147.00	147.00	147.00

## E.B.P. Price List 2021

		SW	SA	SC	SG	SD	TD	TW	CS	CW
SKU	Description	Shaker White	Shaker Antique	Shaker Charcoal	Shaker Greystone	Shaker Dove	Traditional Dove	Traditional White	Cameo Scotch	Cameo White
SHM	Shoe Moulding	42.00	43.00	43.00	43.00	43.00	45.00	45.00	45.00	45.00
TDEP2484	Tall Decorative End Panel	243.00	250.00	250.00	250.00	250.00	257.00	257.00	257.00	257.00
TDEP2490	Tall Decorative End Panel	256.00	263.00	263.00	263.00	263.00	271.00	271.00	271.00	271.00
TDEP2496	Tall Decorative End Panel	268.00	276.00	276.00	276.00	276.00	284.00	284.00	284.00	284.00
TKC	Toe Kick 8' Plywood	21.00	22.00	22.00	22.00	22.00	22.00	22.00	22.00	22.00
U188424	Wall Pantry	989.00	1,016.00	1,016.00	1,016.00	1,016.00	1,046.00	1,046.00	1,046.00	1,046.00
U189024	Wall Pantry	1,032.00	1,062.00	1,062.00	1,062.00	1,062.00	1,092.00	1,092.00	1,092.00	1,092.00
U189624	Wall Pantry	1,088.00	1,119.00	1,119.00	1,119.00	1,119.00	1,151.00	1,151.00	1,151.00	1,151.00
U248424	Wall Pantry	1,246.00	1,281.00	1,281.00	1,281.00	1,281.00	1,318.00	1,318.00	1,318.00	1,318.00
U249024	Wall Pantry	1,297.00	1,333.00	1,333.00	1,333.00	1,333.00	1,372.00	1,372.00	1,372.00	1,372.00
U249624	Wall Pantry	1,365.00	1,403.00	1,403.00	1,403.00	1,403.00	1,444.00	1,444.00	1,444.00	1,444.00
U309024	Wall Pantry	1,474.00	1,516.00	1,516.00	1,516.00	1,516.00	1,560.00	1,560.00	1,560.00	1,560.00
U309624	Wall Pantry	1,545.00	1,589.00	1,589.00	1,589.00	1,589.00	1,635.00	1,635.00	1,635.00	1,635.00
USV2496	Tall Skin Panel	128.00	132.00	132.00	132.00	132.00	136.00	136.00	136.00	136.00
V3021DL	Vanity Base	857.00	881.00	881.00	881.00	881.00	907.00	907.00	907.00	907.00
V3021DR	Vanity Base Right	858.00	882.00	882.00	882.00	882.00	908.00	908.00	908.00	908.00
V3621DL	Vanity Base	945.00	971.00	971.00	971.00	971.00	1,000.00	1,000.00	1,000.00	1,000.00
V3621DR	Vanity Base	945.00	971.00	971.00	971.00	971.00	1,000.00	1,000.00	1,000.00	1,000.00
VA48	Arched Valance	266.00	273.00	273.00	273.00	273.00	281.00	281.00	281.00	281.00
Vddb42	Vanity Double Drawer Base Cabinet	1,275.00	1,311.00	1,311.00	1,311.00	1,311.00	1,349.00	1,349.00	1,349.00	1,349.00
Vddb48	Vanity Sink Drawer Base Cabinet	1,362.00	1,400.00	1,400.00	1,400.00	1,400.00	1,441.00	1,441.00	1,441.00	1,441.00
Vddb60	Vanity Sink Drawer Base Cabinet	1,484.00	1,526.00	1,526.00	1,526.00	1,526.00	1,570.00	1,570.00	1,570.00	1,570.00
VDEP	Vanity Decorative End Panel	93.00	95.00	95.00	95.00	95.00	98.00	98.00	98.00	98.00
VKD36	Knee Drawer	273.00	281.00	281.00	281.00	281.00	289.00	289.00	289.00	289.00
VS24	Vanity Sink Base Cabinet	439.00	451.00	451.00	451.00	451.00	465.00	465.00	465.00	465.00
VS27	Vanity Sink Base Cabinet	465.00	478.00	478.00	478.00	478.00	492.00	492.00	492.00	492.00
VS30	Vanity Sink Base Cabinet	506.00	520.00	520.00	520.00	520.00	536.00	536.00	536.00	536.00
VS36	Vanity Sink Base Cabinet	558.00	574.00	574.00	574.00	574.00	591.00	591.00	591.00	591.00
VSD36	Vanity Sink Drawer Base Cabinet	770.00	792.00	792.00	792.00	792.00	815.00	815.00	815.00	815.00
VSD42	Vanity Sink Drawer Base Cabinet	835.00	858.00	858.00	858.00	858.00	883.00	883.00	883.00	883.00
VSD48	Vanity Sink Drawer Base Cabinet	893.00	918.00	918.00	918.00	918.00	945.00	945.00	945.00	945.00
VSDB60	Vanity Double Sink Base Cabinet	1,258.00	1,293.00	1,293.00	1,293.00	1,293.00	1,331.00	1,331.00	1,331.00	1,331.00
W0930	Wall Cabinet	215.00	221.00	221.00	221.00	221.00	228.00	228.00	228.00	228.00

## E.B.P. Price List 2021

		SW	SA	SC	SG	SD	TD	TW	CS	CW
SKU	Description	Shaker White	Shaker Antique	Shaker Charcoal	Shaker Greystone	Shaker Dove	Traditional Dove	Traditional White	Cameo Scotch	Cameo White
W0936	Wall Cabinet	241.00	248.00	248.00	248.00	248.00	255.00	255.00	255.00	255.00
W0942	Wall Cabinet	280.00	288.00	288.00	288.00	288.00	296.00	296.00	296.00	296.00
W1230	Wall Cabinet	240.00	247.00	247.00	247.00	247.00	254.00	254.00	254.00	254.00
W1236	Wall Cabinet	268.00	276.00	276.00	276.00	276.00	284.00	284.00	284.00	284.00
W1242	Wall Cabinet	311.00	320.00	320.00	320.00	320.00	330.00	330.00	330.00	330.00
W1530	Wall Cabinet	266.00	273.00	273.00	273.00	273.00	281.00	281.00	281.00	281.00
W1530GD	Wall Glass Door Cabinet with Finished Interior	248.00	255.00	255.00	255.00	255.00	263.00	263.00	263.00	263.00
W1536	Wall Cabinet	298.00	307.00	307.00	307.00	307.00	316.00	316.00	316.00	316.00
W1536GD	Wall Glass Door Cabinet with Finished Interior	273.00	281.00	281.00	281.00	281.00	289.00	289.00	289.00	289.00
W1542	Wall Cabinet	345.00	354.00	354.00	354.00	354.00	365.00	365.00	365.00	365.00
W1542GD	Wall Glass Door Cabinet with Finished Interior	318.00	327.00	327.00	327.00	327.00	337.00	337.00	337.00	337.00
W1830	Wall Cabinet	293.00	301.00	301.00	301.00	301.00	310.00	310.00	310.00	310.00
W1836	Wall Cabinet	326.00	336.00	336.00	336.00	336.00	345.00	345.00	345.00	345.00
W1842	Wall Cabinet	380.00	391.00	391.00	391.00	391.00	402.00	402.00	402.00	402.00
W2130	Wall Cabinet	319.00	328.00	328.00	328.00	328.00	338.00	338.00	338.00	338.00
W2136	Wall Cabinet	356.00	366.00	366.00	366.00	366.00	377.00	377.00	377.00	377.00
W2142	Wall Cabinet	415.00	427.00	427.00	427.00	427.00	439.00	439.00	439.00	439.00
W2430	Wall Cabinet	384.00	395.00	395.00	395.00	395.00	406.00	406.00	406.00	406.00
W2430GD	Wall Glass Door Cabinet with Finished Interior	359.00	369.00	369.00	369.00	369.00	380.00	380.00	380.00	380.00
W2436	Wall Cabinet	424.00	436.00	436.00	436.00	436.00	449.00	449.00	449.00	449.00
W2436GD	Wall Glass Door Cabinet with Finished Interior	394.00	405.00	405.00	405.00	405.00	417.00	417.00	417.00	417.00
W2442	Wall Cabinet	498.00	512.00	512.00	512.00	512.00	527.00	527.00	527.00	527.00
W2442GD	Wall Glass Door Cabinet with Finished Interior	461.00	474.00	474.00	474.00	474.00	487.00	487.00	487.00	487.00
W2730	Wall Cabinet	409.00	421.00	421.00	421.00	421.00	433.00	433.00	433.00	433.00
W2736	Wall Cabinet	453.00	466.00	466.00	466.00	466.00	480.00	480.00	480.00	480.00
W2742	Wall Cabinet	532.00	547.00	547.00	547.00	547.00	563.00	563.00	563.00	563.00
W3012	Wall Cabinet	251.00	258.00	258.00	258.00	258.00	266.00	266.00	266.00	266.00
W3015	Wall Cabinet	273.00	280.00	280.00	280.00	280.00	289.00	289.00	289.00	289.00
W3018	Wall Cabinet	296.00	304.00	304.00	304.00	304.00	313.00	313.00	313.00	313.00
W3024	Wall Cabinet	369.00	379.00	379.00	379.00	379.00	390.00	390.00	390.00	390.00
W3030	Wall Cabinet	438.00	451.00	451.00	451.00	451.00	464.00	464.00	464.00	464.00
W3030GD	Wall Glass Door Cabinet With Finished Interior	403.00	415.00	415.00	415.00	415.00	427.00	427.00	427.00	427.00

## E.B.P. Price List 2021

		SW	SA	SC	SG	SD	TD	TW	CS	CW
SKU	Description	Shaker White	Shaker Antique	Shaker Charcoal	Shaker Greystone	Shaker Dove	Traditional Dove	Traditional White	Cameo Scotch	Cameo White
W3036	Wall Cabinet	485.00	499.00	499.00	499.00	499.00	513.00	513.00	513.00	513.00
W3036GD	Wall Glass Door Cabinet With Finished Interior	441.00	453.00	453.00	453.00	453.00	466.00	466.00	466.00	466.00
W3042	Wall Cabinet	569.00	585.00	585.00	585.00	585.00	602.00	602.00	602.00	602.00
W3042GD	Wall Glass Door Cabinet With Finished Interior	515.00	530.00	530.00	530.00	530.00	545.00	545.00	545.00	545.00
W3330	Wall Cabinet	465.00	478.00	478.00	478.00	478.00	492.00	492.00	492.00	492.00
W3336	Wall Cabinet	515.00	529.00	529.00	529.00	529.00	545.00	545.00	545.00	545.00
W3342	Wall Cabinet	604.00	621.00	621.00	621.00	621.00	639.00	639.00	639.00	639.00
W3612	Wall Cabinet	278.00	286.00	286.00	286.00	286.00	294.00	294.00	294.00	294.00
W361224	Wall Refrigerator Cabinet	357.00	367.00	367.00	367.00	367.00	378.00	378.00	378.00	378.00
W3615	Wall Cabinet	303.00	312.00	312.00	312.00	312.00	321.00	321.00	321.00	321.00
W361524	Wall Refrigerator Cabinet	385.00	395.00	395.00	395.00	395.00	407.00	407.00	407.00	407.00
W3618	Wall Cabinet	329.00	338.00	338.00	338.00	338.00	348.00	348.00	348.00	348.00
W361824	Wall Refrigerator Cabinet	412.00	424.00	424.00	424.00	424.00	436.00	436.00	436.00	436.00
W3624	Wall Cabinet	411.00	423.00	423.00	423.00	423.00	435.00	435.00	435.00	435.00
W362424	Wall Refrigerator Cabinet	535.00	550.00	550.00	550.00	550.00	566.00	566.00	566.00	566.00
W3630	Wall Cabinet	492.00	506.00	506.00	506.00	506.00	520.00	520.00	520.00	520.00
W3636	Wall Cabinet	545.00	560.00	560.00	560.00	560.00	577.00	577.00	577.00	577.00
W3642	Wall Cabinet	639.00	657.00	657.00	657.00	657.00	677.00	677.00	677.00	677.00
WBC2730	Wall Blind Corner Cabinet	391.00	402.00	402.00	402.00	402.00	414.00	414.00	414.00	414.00
WBC2736	Wall Blind Corner Cabinet	439.00	451.00	451.00	451.00	451.00	464.00	464.00	464.00	464.00
WBC2742	Wall Blind Corner Cabinet	514.00	528.00	528.00	528.00	528.00	544.00	544.00	544.00	544.00
WDEP30	Wall Decorative Door Panel	66.00	68.00	68.00	68.00	68.00	70.00	70.00	70.00	70.00
WDEP36	Wall Decorative Door Panel	74.00	76.00	76.00	76.00	76.00	79.00	79.00	79.00	79.00
WDEP42	Wall Decorative Door Panel	83.00	86.00	86.00	86.00	86.00	88.00	88.00	88.00	88.00
WRC2430	Wall Wine Rack Cabinet	380.00	391.00	391.00	391.00	391.00	403.00	403.00	403.00	403.00
WRC3018	Wall Wine Rack Cabinet	318.00	327.00	327.00	327.00	327.00	337.00	337.00	337.00	337.00
WSD630	Wall Spice Drawer	231.00	237.00	237.00	237.00	237.00	244.00	244.00	244.00	244.00
WSV42	Wall Skin Panel	39.00	40.00	40.00	40.00	40.00	41.00	41.00	41.00	41.00
W302424	Wall Refrigerator Cabinet	476.00	490.00	490.00	490.00	490.00	504.00	504.00	504.00	504.00
W332424	Wall Refrigerator Cabinet	505.00	520.00	520.00	520.00	520.00	535.00	535.00	535.00	535.00
W331824	Wall Refrigerator Cabinet	391.00	402.00	402.00	402.00	402.00	414.00	414.00	414.00	414.00
W301824	Wall Refrigerator Cabinet	370.00	380.00	380.00	380.00	380.00	391.00	391.00	391.00	391.00
W331524	Wall Refrigerator Cabinet	365.00	375.00	375.00	375.00	375.00	386.00	386.00	386.00	386.00

## E.B.P. Price List 2021

		SW	SA	SC	SG	SD	TD	TW	CS	CW
SKU	Description	Shaker White	Shaker Antique	Shaker Charcoal	Shaker Greystone	Shaker Dove	Traditional Dove	Traditional White	Cameo Scotch	Cameo White
W301524	Wall Refrigerator Cabinet	345.00	355.00	355.00	355.00	355.00	365.00	365.00	365.00	365.00
W331224	Wall Refrigerator Cabinet	338.00	348.00	348.00	348.00	348.00	358.00	358.00	358.00	358.00
W301224	Wall Refrigerator Cabinet	320.00	329.00	329.00	329.00	329.00	338.00	338.00	338.00	338.00
W3612GD	Stacker Wall Glass Door Cabinet with Finished Interior	268.00	276.00	276.00	276.00	276.00	284.00	284.00	284.00	284.00
W3312GD	Stacker Wall Glass Door Cabinet with Finished Interior	257.00	264.00	264.00	264.00	264.00	272.00	272.00	272.00	272.00
W3012GD	Stacker Wall Glass Door Cabinet with Finished Interior	245.00	252.00	252.00	252.00	252.00	259.00	259.00	259.00	259.00
W2712GD	Stacker Wall Glass Door Cabinet with Finished Interior	233.00	240.00	240.00	240.00	240.00	247.00	247.00	247.00	247.00
W2412GD	Stacker Wall Glass Door Cabinet with Finished Interior	220.00	226.00	226.00	226.00	226.00	233.00	233.00	233.00	233.00
W2112GD	Stacker Wall Glass Door Cabinet with Finished Interior	174.00	179.00	179.00	179.00	179.00	184.00	184.00	184.00	184.00
W1812GD	Stacker Wall Glass Door Cabinet with Finished Interior	163.00	167.00	167.00	167.00	167.00	172.00	172.00	172.00	172.00
W1512GD	Stacker Wall Glass Door Cabinet with Finished Interior	149.00	153.00	153.00	153.00	153.00	158.00	158.00	158.00	158.00
W1212GD	Stacker Wall Glass Door Cabinet with Finished Interior	138.00	142.00	142.00	142.00	142.00	146.00	146.00	146.00	146.00
DCW-2412GD	Stacker Wall Glass Door Cabinet with Finished Interior	262.00	270.00	270.00	270.00	270.00	278.00	278.00	278.00	278.00
DCW-2712GD	Stacker Wall Glass Door Cabinet with Finished Interior	294.00	302.00	302.00	302.00	302.00	311.00	311.00	311.00	311.00
WDEP1212	Wall Decorative Door Panel	40.00	41.00	41.00	41.00	41.00	42.00	42.00	42.00	42.00
WDEP1218	Wall Decorative Door Panel	48.00	50.00	50.00	50.00	50.00	51.00	51.00	51.00	51.00
UV-LSB-TRAYSET	Lasy Susan Tray Set	458.00	471.00	471.00	471.00	471.00	485.00	485.00	485.00	485.00
1DB30	1 DRAWER BASE 30" WIDE	458.00	471.00	471.00	471.00	471.00	484.00	484.00	484.00	484.00
2DB18	2 DRAWER BASE 18" WIDE	611.00	628.00	628.00	628.00	628.00	646.00	646.00	646.00	646.00
2DB24	2 DRAWER BASE 24" WIDE	682.00	702.00	702.00	702.00	702.00	722.00	722.00	722.00	722.00
2DB30	2 DRAWER BASE 30" WIDE	761.00	783.00	783.00	783.00	783.00	805.00	805.00	805.00	805.00
2DB36	2 DRAWER BASE 36" WIDE	848.00	872.00	872.00	872.00	872.00	897.00	897.00	897.00	897.00
FDW1230	Wall Frame and Door Cabinet	126.00	129.00	129.00	129.00	129.00	133.00	133.00	133.00	133.00
FDW1530	Wall Frame and Door Cabinet	138.00	142.00	142.00	142.00	142.00	146.00	146.00	146.00	146.00
FDW1830	Wall Frame and Door Cabinet	150.00	154.00	154.00	154.00	154.00	159.00	159.00	159.00	159.00
FDW2130	Wall Frame and Door Cabinet	162.00	167.00	167.00	167.00	167.00	171.00	171.00	171.00	171.00
FDW2430	Wall Frame and Door Cabinet	214.00	220.00	220.00	220.00	220.00	226.00	226.00	226.00	226.00
FDW2730	Wall Frame and Door Cabinet	226.00	233.00	233.00	233.00	233.00	239.00	239.00	239.00	239.00

## E.B.P. Price List 2021

		SW	SA	SC	SG	SD	TD	TW	CS	CW
SKU	Description	Shaker White	Shaker Antique	Shaker Charcoal	Shaker Greystone	Shaker Dove	Traditional Dove	Traditional White	Cameo Scotch	Cameo White
FDW3030	Wall Frame and Door Cabinet	238.00	245.00	245.00	245.00	245.00	252.00	252.00	252.00	252.00
FDW3330	Wall Frame and Door Cabinet	250.00	257.00	257.00	257.00	257.00	265.00	265.00	265.00	265.00
FDW3630	Wall Frame and Door Cabinet	262.00	270.00	270.00	270.00	270.00	278.00	278.00	278.00	278.00
FOL630	5 1/2 X 29 FILLER OVERLAY	45.00	47.00	47.00	47.00	47.00	48.00	48.00	48.00	48.00
FOL636	5 1/2 X 35 FILLER OVERLAY	51.00	52.00	52.00	52.00	52.00	54.00	54.00	54.00	54.00
FOL642	5 1/2 X 41 FILLER OVERLAY	56.00	58.00	58.00	58.00	58.00	59.00	59.00	59.00	59.00
FS36	36" Floating Shelf for SW, TW	166.00	171.00	171.00	171.00	171.00	176.00	176.00	176.00	176.00
FS48	48" Floating Shelf for SW, TW	253.00	260.00	260.00	260.00	260.00	268.00	268.00	268.00	268.00
FS60	60" Floating Shelf for SW, TW	286.00	295.00	295.00	295.00	295.00	303.00	303.00	303.00	303.00
WMSSHELF	" WALL MICRO-WAVE SHELF KIT (Shelf only, goes with Wall Open Cabinet, White-WOC3018) WALL MICRO-WAVE Cabinet-30"W X18"H X12"D-2D "	63.00	65.00	65.00	65.00	65.00	67.00	67.00	67.00	67.00
WOC3018	WALL OPEN CABINET 3018	180.00	185.00	185.00	185.00	185.00	190.00	190.00	190.00	190.00
WXRSHelf	" WALL X WINE RACK KIT (Shelf only, goes with Wall Open Cabinet, White-WOC3018) WALL X WINE RACK-30"W X18"H X12"D "	57.00	59.00	59.00	59.00	59.00	60.00	60.00	60.00	60.00
BFOL634	Filler Overlay	49.00	51.00	51.00	51.00	51.00	52.00	52.00	52.00	52.00
4DB12	Four Drawer Base 12" wide	725.00	746.00	746.00	746.00	746.00	768.00	768.00	768.00	768.00
4DB15	Four Drawer Base 15" wide	763.00	785.00	785.00	785.00	785.00	808.00	808.00	808.00	808.00
4DB18	Four Drawer Base 18" wide	803.00	825.00	825.00	825.00	825.00	849.00	849.00	849.00	849.00
4DB21	Four Drawer Base 21" wide	841.00	865.00	865.00	865.00	865.00	890.00	890.00	890.00	890.00
4DB24	Four Drawer Base 24" wide	884.00	909.00	909.00	909.00	909.00	936.00	936.00	936.00	936.00
4DB30	Four Drawer Base 30" wide	965.00	993.00	993.00	993.00	993.00	1,022.00	1,022.00	1,022.00	1,022.00
4DB36	Four Drawer Base 36" wide	1,070.00	1,100.00	1,100.00	1,100.00	1,100.00	1,132.00	1,132.00	1,132.00	1,132.00
DCSF36	Diagonal Sink Front 36	203.00	209.00	209.00	209.00	209.00	215.00	215.00	215.00	215.00
DKD30	Desk Knee Drawer 30" long	207.00	213.00	213.00	213.00	213.00	219.00	219.00	219.00	219.00
LACM8	Large Angle Crown Molding - 3"D X 3"H X 96"W	189.00	194.00	194.00	194.00	194.00	200.00	200.00	200.00	200.00
MCB	Modern Corbel	273.00	281.00	281.00	281.00	281.00	289.00	289.00	289.00	289.00
REPV3096	Refrigerator End Panel 30" wide x 96" high	294.00	303.00	303.00	303.00	303.00	311.00	311.00	311.00	311.00



## E.B.P. Price List 2021

		SW	SA	SC	SG	SD	TD	TW	CS	CW
SKU	Description	Shaker White	Shaker Antique	Shaker Charcoal	Shaker Greystone	Shaker Dove	Traditional Dove	Traditional White	Cameo Scotch	Cameo White
SBF3636	Sink Base Floor 36 x 36	90.00	93.00	93.00	93.00	93.00	96.00	96.00	96.00	96.00
SQDL	Square Decorative Leg	274.00	282.00	282.00	282.00	282.00	290.00	290.00	290.00	290.00
TAA12	Toe Kick Arched Apron 12" Long	33.00	34.00	34.00	34.00	34.00	35.00	35.00	35.00	35.00
TAA15	Toe Kick Arched Apron 15" Long	38.00	39.00	39.00	39.00	39.00	40.00	40.00	40.00	40.00
TAA18	Toe Kick Arched Apron 18" Long	43.00	45.00	45.00	45.00	45.00	46.00	46.00	46.00	46.00
TAA21	Toe Kick Arched Apron 21" Long	52.00	53.00	53.00	53.00	53.00	55.00	55.00	55.00	55.00
TAA24	Toe Kick Arched Apron 24" Long	57.00	59.00	59.00	59.00	59.00	61.00	61.00	61.00	61.00
TAA30	Toe Kick Arched Apron 30" Long	74.00	76.00	76.00	76.00	76.00	78.00	78.00	78.00	78.00
TAA36	Toe Kick Arched Apron 36" Long	85.00	87.00	87.00	87.00	87.00	90.00	90.00	90.00	90.00
TAA42	Toe Kick Arched Apron 42" Long	96.00	99.00	99.00	99.00	99.00	101.00	101.00	101.00	101.00
TAA48	Toe Kick Arched Apron 48" Long	107.00	110.00	110.00	110.00	110.00	113.00	113.00	113.00	113.00
TAA60	Toe Kick Arched Apron 60" Long	132.00	136.00	136.00	136.00	136.00	140.00	140.00	140.00	140.00
TAM12	Toe Kick Apron Molding 12" long	33.00	34.00	34.00	34.00	34.00	35.00	35.00	35.00	35.00
TAM15	Toe Kick Apron Molding 15" long	38.00	39.00	39.00	39.00	39.00	40.00	40.00	40.00	40.00
TAM18	Toe Kick Apron Molding 18" long	43.00	45.00	45.00	45.00	45.00	46.00	46.00	46.00	46.00
TAM21	Toe Kick Apron Molding 21" long	49.00	50.00	50.00	50.00	50.00	51.00	51.00	51.00	51.00
TAM24	Toe Kick Apron Molding 24" long	57.00	59.00	59.00	59.00	59.00	61.00	61.00	61.00	61.00
TAM30	Toe Kick Apron Molding 30" long	74.00	76.00	76.00	76.00	76.00	78.00	78.00	78.00	78.00
TAM36	Toe Kick Apron Molding 36" long	85.00	87.00	87.00	87.00	87.00	90.00	90.00	90.00	90.00
TAM42	Toe Kick Apron Molding 42" long	96.00	99.00	99.00	99.00	99.00	101.00	101.00	101.00	101.00
TAM48	Toe Kick Apron Molding 48" long	107.00	110.00	110.00	110.00	110.00	113.00	113.00	113.00	113.00
TAM60	Toe Kick Apron Molding 60" long	132.00	136.00	136.00	136.00	136.00	140.00	140.00	140.00	140.00
TAM96	Toe Kick Apron Molding 96" long	216.00	222.00	222.00	222.00	222.00	228.00	228.00	228.00	228.00
TAS12	Toe Kick Apron Support 12" long	27.00	28.00	28.00	28.00	28.00	28.00	28.00	28.00	28.00
TAS15	Toe Kick Apron Support 15" long	31.00	32.00	32.00	32.00	32.00	32.00	32.00	32.00	32.00
TAS18	Toe Kick Apron Support 18" long	34.00	35.00	35.00	35.00	35.00	36.00	36.00	36.00	36.00
TAS21	Toe Kick Apron Support 21" long	38.00	39.00	39.00	39.00	39.00	40.00	40.00	40.00	40.00
TAS24	Toe Kick Apron Support 24" long	45.00	47.00	47.00	47.00	47.00	48.00	48.00	48.00	48.00
TAS30	Toe Kick Apron Support 30" long	58.00	60.00	60.00	60.00	60.00	61.00	61.00	61.00	61.00
TAS36	Toe Kick Apron Support 36" long	66.00	68.00	68.00	68.00	68.00	70.00	70.00	70.00	70.00
TAS42	Toe Kick Apron Support 42" long	74.00	76.00	76.00	76.00	76.00	78.00	78.00	78.00	78.00
TAS48	Toe Kick Apron Support 48" long	82.00	84.00	84.00	84.00	84.00	86.00	86.00	86.00	86.00

## E.B.P. Price List 2021

		SW	SA	SC	SG	SD	TD	TW	CS	CW
SKU	Description	Shaker White	Shaker Antique	Shaker Charcoal	Shaker Greystone	Shaker Dove	Traditional Dove	Traditional White	Cameo Scotch	Cameo White
TAS60	Toe Kick Apron Support 60" long	101.00	104.00	104.00	104.00	104.00	107.00	107.00	107.00	107.00
TAS96	Toe Kick Apron Support 96" long	161.00	166.00	166.00	166.00	166.00	170.00	170.00	170.00	170.00
VACR48	Crown Valance 48" long	266.00	273.00	273.00	273.00	273.00	281.00	281.00	281.00	281.00
VASH48	Shaker Arch Valance 48" long	266.00	273.00	273.00	273.00	273.00	281.00	281.00	281.00	281.00
W3D18	Wall Three Drawer 18" wide	309.00	318.00	318.00	318.00	318.00	327.00	327.00	327.00	327.00
W3D24	Wall Three Drawer 24" wide	354.00	364.00	364.00	364.00	364.00	374.00	374.00	374.00	374.00
<b>WER2430</b>	<b>Wall Easy Reach 24" wide x 30" high</b>	<b>555.00</b>	<b>570.00</b>	<b>570.00</b>	<b>570.00</b>	<b>570.00</b>	<b>587.00</b>	<b>587.00</b>	<b>587.00</b>	<b>587.00</b>
WER2436	Wall Easy Reach 24" wide x 36" high	602.00	619.00	619.00	619.00	619.00	637.00	637.00	637.00	637.00
WER2442	Wall Easy Reach 24" wide x 42" high	707.00	727.00	727.00	727.00	727.00	749.00	749.00	749.00	749.00
WWC630	Wall Wine Cube 6" wide x 30" high	135.00	138.00	138.00	138.00	138.00	142.00	142.00	142.00	142.00
MINIB12	24" tall Base 12 made with exact hardware and materials as used in our Highland Prime Series cabinetry.	379.00	389.00	389.00	389.00	389.00	401.00	401.00	401.00	401.00
UV-B12T-DKIT	BASE 12 TRAY DIVIDER KIT	146.00	150.00	150.00	150.00	150.00	154.00	154.00	154.00	154.00
UV-B15T-DKIT	BASE 15 TRAY DIVIDER KIT	154.00	158.00	158.00	158.00	158.00	163.00	163.00	163.00	163.00
UV-B18T-DKIT	BASE 18 TRAY DIVIDER KIT	256.00	263.00	263.00	263.00	263.00	271.00	271.00	271.00	271.00
CF4	Circle Foot 3 3/4 High	44.00	46.00	46.00	46.00	46.00	47.00	47.00	47.00	47.00
TF4	Taper Foot 3 3/4" High	56.00	57.00	57.00	57.00	57.00	59.00	59.00	59.00	59.00
UV-B12TD-FHKIT	BASE 12 FULL HEIGHT TRAY DIVIDER KIT	157.00	162.00	162.00	162.00	162.00	166.00	166.00	166.00	166.00
UV-B15TD-FHKIT	BASE 15 FULL HEIGHT TRAY DIVIDER KIT	168.00	173.00	173.00	173.00	173.00	178.00	178.00	178.00	178.00
UV-B18TD-FHKIT	BASE 18 FULL HEIGHT TRAY DIVIDER KIT	281.00	289.00	289.00	289.00	289.00	297.00	297.00	297.00	297.00





833.642.3222

[www.everythingbp.us](http://www.everythingbp.us)